



HYMAX[®] REDUCER (1.5"-60")

HYMAX[®]
Repair the past. Connect the future.

PRODUCT SPECIFICATIONS

FEATURES

- USING THE GAME-CHANGING HYMAX TECHNOLOGY, PROVEN IN OVER 1M INSTALLATIONS IN THE US
- SUITABLE FOR ALL TYPES OF PIPES - DUCTILE IRON, CAST IRON, STEEL, COPPER, PE, PVC, AC, GRP
- JOINS PIPES OF DIFFERENT SIZES
- PATENTED HYDRAULICALLY-ASSISTED GASKET WITH 2-STAGE SEALING
- LIGHTWEIGHT CONSTRUCTION ENABLES FAST AND EASY INSTALLATION
- ALLOWS 4° DYNAMIC DEFLECTION ON EACH END, REDUCING FUTURE PIPE DAMAGE
- ONE PRODUCT CAN CONNECT PIPES OF TWO DIFFERENT MATERIALS

SPECIFICATIONS

STANDARDS

HYMAX REDUCER MEETS OR EXCEEDS STANDARDS AWWA C-219, NSF 61, NSF 372.

SIZE

AVAILABLE IN NOMINAL DIAMETERS FROM 1.5"-24" STANDARD. 26"-60" MTO (MADE TO ORDER). CALL KRAUSZ FOR DETAILS.

MATERIALS

END RINGS

1.5"-12"- ASTM A283 / A 283M GRADE C STEEL.
14"-16"- ASTM A283 / A 283M GRADE C STEEL.
(OR DUCTILE IRON CASTING ASTM A536 GRADE 60-40-18)
18"-60"- ASTM A283 / A283M GRADE C STEEL.

CENTER RING

1.5"-12"- ASTM A53 GRADE A STEEL.
14"-60"- ASTM A283 / A283M GRADE C STEEL.

GASKETS

EPDM AND NBR AVAILABLE. BOTH ARE COMPOUNDED FOR WATER AND SEWAGE, MEET INTERNATIONAL STANDARDS FOR CONTACT WITH DRINKING WATER.

BRIDGE

AISI 304 STAINLESS STEEL.

SPHERICAL SPACERS

AISI 304 STAINLESS STEEL.

COATING

100% FUSION BONDED EPOXY FOR ENHANCED CORROSION PROTECTION. NOMINAL THICKNESS 14 MIL.

NUTS AND BOLTS

AISI 304 STAINLESS STEEL. ROLLED THREAD AND ANTI-GALLING COATING.

PRODUCT PERFORMANCE (*)

WORKING TEMPERATURE	EPDM: -20°F UP TO +125°F NBR: -4°F UP TO +125°F			
DYNAMIC DEFLECTION	1.5"-48" UP TO 4° PER SIDE	>48" UP TO 3° PER SIDE		
MIN. PIPE INSERTION	1.5"-12" 2.25"	14"-60" 4"		
MAXIMUM OFFSET FOR MISALIGNED PIPES	1.5"-3" 0.39"	4"-60" 0.51"		
MAXIMUM OUT OF ROUNDNESS	1.5" 0.08"	2"-3" 0.20"	4"-12" 0.31"	14"-60" 0.51"
WORKING PRESSURE	1.5"-16" 260 PSI	18"-24" 232 PSI	26"-60" CALL KRAUSZ FOR DETAILS	
RATED PRESSURE	1.5"-16" 390 PSI	18"-24" 350 PSI	26"-60" CALL KRAUSZ FOR DETAILS	
VACUUM TEST	12 PSI			

* SEE SUBMITTAL DRAWINGS FOR DETAILS.

PRODUCT TABLES

ND 1.5"-12" EPDM/NBR

ND (inch)	EPDM (Ft- Lb)		NBR (Ft-Lb)	
	Torque Side 1 (Ft- Lb)	Torque Side 2 (Ft- Lb)	Torque Side 1 (Ft- Lb)	Torque Side 2 (Ft- Lb)
1.5X2	35	50	-	-
2X3	50	50	50	50
3X4	50	65	50	75
4X5	65	65	75	75
4X6	65	65	75	75
5X6	65	65	75	75
6X7	65	65	75	75
6X8	65	65	75	75
7X8	65	65	75	75
8X10	65	65	75	75
10X10	65	65	75	75
12X12	65	65	75	75

ND 12"-24" EPDM

ND (inch)	Torque Side 1 (Ft- Lb)	Torque Side 2 (Ft- Lb)
12X14	65	150
14X16	150	150
16X18	150	150
18X20	150	150
20X24	150	150

PRODUCT CONFIGURATIONS

The product is offered in several different configurations. Note that the "xx" marking in the Cat. no. should be replaced as directed:

Part Number 861-XX

56 -> Product with EPDM gasket

57 -> Product with NBR gasket

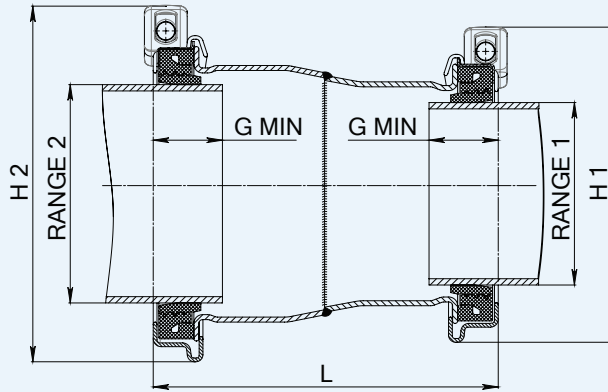
For example:

861XX0054008816 should be read as 861560054008816 for EPDM gasket and 861570054008816 for NBR gasket.

* NBR gasket available in sizes 2"X3" - 12"X12"

PRODUCT TABLES

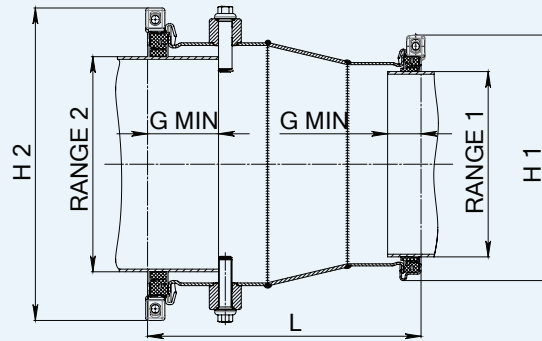
HYMAX REDUCER NOMINAL SIZES 1.5"-12"



Krausz Part Number	ND (inch)	Overall Range 1 (inch)	Before Removal of Inner Layer 1 (inch)	After Removal of Inner Layer 1 (inch)	Overall Range 2 (inch)	Before Removal of Inner Layer 2 (inch)	After Removal of Inner Layer 2 (inch)	Bolts Qty. -Size	H1 (inch)	H2 (inch)	L (inch)	Approx. Weight (Lbs)
861560041005416	1.5 x 2	1.61-2.13	1.61-1.97	1.96-2.13	2.10-3.03	2.10-2.60	2.56-3.03	2 -M12	5.0	5.7	8.6	7
861XX0054008816	2 x 3	2.10-3.03	2.10-2.60	2.56-3.03	3.46-4.33	3.46-3.90	3.86-4.33	2 -M12	5.7	7.1	7.8	9
861XX0088010816	3 x 4	3.46-4.33	3.46-3.90	3.86-4.33	4.25-5.63	4.25-5.00	4.92-5.63	2 -M14	7.1	9.3	8.8	13
861XX0108013016	4 x 5	4.25-5.63	4.25-5.00	4.92-5.63	5.12-6.38	5.12-5.75	5.71-6.38	2 -M14	9.3	10.0	9.8	16
861XX0108016316	4 x 6	4.25-5.63	4.25-5.00	4.92-5.63	6.42-7.68	6.42-7.05	7.01-7.68	2 -M14	9.3	11.3	9.8	20
861XX0130016316	5 x 6	5.12-6.38	5.12-5.75	5.71-6.38	6.42-7.68	6.42-7.05	7.01-7.68	2 -M14	10.0	11.3	10.8	20
861XX0163019016	6 x 7	6.42-7.68	6.42-7.05	7.01-7.68	7.48-8.74	7.48-8.11	8.07-8.74	2 -M14	11.3	12.2	10.8	22
861XX0163021716	6 x 8	6.42-7.68	6.42-7.05	7.01-7.68	8.54-9.84	8.54-9.17	9.13-9.84	2 -M14	11.3	13.1	10.8	24
861XX0190021716	7 x 8	7.48-8.74	7.48-8.11	8.07-8.74	8.54-9.84	8.54-9.17	9.13-9.84	2 -M14	12.2	13.1	10.8	26
861XX0217027216	8 x 10	8.54-9.84	8.54-9.17	9.13-9.84	10.70-12.00	10.70-11.37	11.33-12.00	2 -M14	13.1	15.6	10.8	29
861XX0217027816	8 x 10	8.54-9.84	8.54-9.17	9.13-9.84	10.96-12.26	10.96-11.63	11.59-12.26	2 -M14	13.1	15.8	10.8	32
861XX0272027816	10 x 10	10.70-12.00	10.70-11.37	11.33-12.00	10.96-12.26	10.96-11.63	11.59-12.26	2 -M14	15.6	15.8	10.8	32
861XX0272031516	10 x 12	10.70-12.00	10.70-11.37	11.33-12.00	12.40-13.66	12.40-13.03	12.99-13.66	2 -M14	15.6	17.5	10.8	36
861XX0278031516	10 x 12	10.96-12.26	10.96-11.63	11.59-12.26	12.40-13.66	12.40-13.03	12.99-13.66	2 -M14	15.8	17.5	10.8	36
861XX0278033416	10 x 12	10.96-12.26	10.96-11.63	11.59-12.26	13.15-14.41	13.15-13.78	13.74-14.41	2 -M14	15.8	18.1	10.8	36
861XX0315033416	12 x 12	12.40-13.66	12.40-13.03	12.99-13.66	13.15-14.41	13.15-13.78	13.74-14.41	2 -M14	17.5	18.1	10.8	37

PRODUCT TABLES

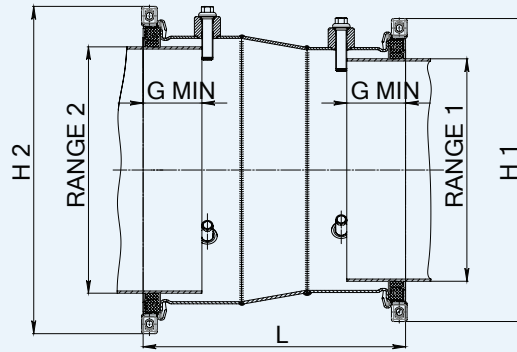
HYMAX REDUCER NOMINAL SIZES 12"-14"



Krausz Part Number	ND (inch)	Overall Range 1 (inch)	Before Removal of Inner Layer 1 (inch)	After Removal of Inner Layer 1 (inch)	Overall Range 2 (inch)	Before Removal of Inner Layer 2 (inch)	After Removal of Inner Layer 2 (inch)	Bolts Qty. -Size	H1 (inch)	H2 (inch)	L (inch)	Approx. Weight (Lbs)
861560315035316	12 x 14	12.40-13.66	12.40-13.03	12.99-13.66	13.90-16.00	13.90-15.00	14.92-16.00	1 -M14 2 -M16	17.5	23.2	20.3	90
861560315037816	12 x 14	12.40-13.66	12.40-13.03	12.99-13.66	15.00-17.10	15.00-16.10	16.02-17.10	1 -M14 2 -M16	17.5	23.2	20.3	100
861560334037816	12 x 14	13.15-14.41	13.15-13.78	13.74-14.41	15.00-17.10	15.00-16.10	16.02-17.10	1 -M14 2 -M16	18.1	23.2	20.3	100

PRODUCT TABLES

HYMAX REDUCER NOMINAL SIZES 14"-24"



Krausz Part Number	ND (inch)	Overall Range 1 (inch)	Before Removal of Inner Layer 1 (inch)	After Removal of Inner Layer 1 (inch)	Overall Range 2 (inch)	Before Removal of Inner Layer 2 (inch)	After Removal of Inner Layer 2 (inch)	Bolts Qty. -Size	H1 (inch)	H2 (inch)	L (inch)	Approx. Weight (Lbs)
861560378043416	14 x 16	15.00-17.10	15.00-16.10	16.02-17.10	17.10-19.20	17.10-18.19	18.11-19.20	4 -M16	23.2	25.6	23.8	142
861560434048816	16 x 18	17.10-19.20	17.10-18.19	18.11-19.20	19.20-21.30	19.20-20.29	20.21-21.30	4 -M16	25.6	27.8	23.8	162
861560488054016	18 x 20	19.20-21.30	19.20-20.29	20.21-21.30	21.25-23.35	21.25-22.35	22.27-23.35	4 -M16	27.8	29.8	23.8	172
861560540060616	20 x 24	21.25-23.35	21.25-22.35	22.27-23.35	23.85-25.95	23.85-24.96	24.88-25.95	4 -M16	29.8	31.7	23.8	180
861560540062416	20 x 24	21.25-23.35	21.25-22.35	22.27-23.35	24.60-26.70	24.60-25.67	25.59-26.70	4 -M16	29.8	33.2	23.8	182

HYMAX REDUCER NOMINAL SIZES 26"-60"

26"-60" - MTO (MADE TO ORDER) IS AVAILABLE