

PRODUCT PERFORMANCE (*)

WORKING TEMPERATURE EPDM: -20°F UP TO +125°F
NBR: -4°F UP TO +125°F

DYNAMIC DEFLECTION UP TO 4°

MIN. PIPE INSERTION 3.6"

MAXIMUM OFFSET FOR MISALIGNED PIPES 0.12"

MAXIMUM OUT OF ROUNDNESS 1.5" - 3" 4" - 12"
0.12" 0.16"

VACUUM TEST 12 PSI

PRESSURES & ΔT

ΔT - HDPE pipe expands and contracts with changes in temperature and exerts large pull-load forces on the coupling. ΔT for HDPE pipe is the change in temperature the coupling can withstand when installed on HDPE pipe.

ND (inch)	Standard Pressure GRIP				ΔT for HDPE SDR 9 (°F)
	Steel, DI, CI & PVC		HDPE		
	Working Pressure (PSI)	Rated Pressure (PSI)	Working Pressure (PSI)	Rated Pressure (PSI)	
1.5/2	232	350	232	350	85
2.5	232	350	232	350	85
3	232	350	232	350	85
4	232	350	232	350	85
6	232	350	232	350	85
8	232	350	193	290	50
10	232	350	163	245	50
12	232	350	155	232	35

ND (inch)	High Pressure GRIP		ΔT for HDPE SDR 9 (°F)
	HDPE Pipe		
	Working Pressure (PSI)	Rated Pressure (PSI)	
4	250	500	100
6	250	500	100
8	250	500	100
10	250	500	100
12	250	500	70

PRODUCT TABLES

TORQUE

ND (inch)	EPDM (Ft-Lb)	NBR (Ft-Lb)
1.5	70	70
2.5	70	70
3	70	70
4	90	105
6	110	110
8	200	200
10	200	200
12	200	200

PRODUCT CONFIGURATIONS

The product is offered in several different configurations. Note that the "xx" marking in the Cat. no. should be replaced as directed:

Part Number 130-XX

56 -> Standard Pressure Grip with EPDM gasket

57 -> Standard Pressure Grip with NBR gasket

58 -> High Pressure Grip with EPDM gasket

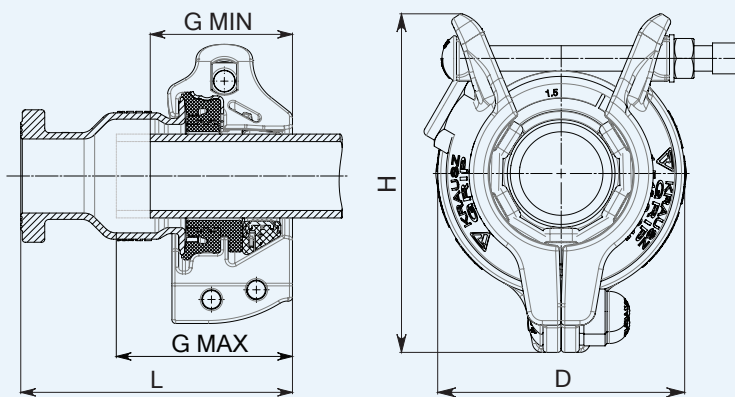
59 -> High Pressure Grip with NBR gasket

For example -

130-XX-04111-16 should be read as 130-56-04111-16 for Standard Pressure Grip with EPDM gasket and

130-57-04111-16 for Standard Pressure Grip with NBR gasket.

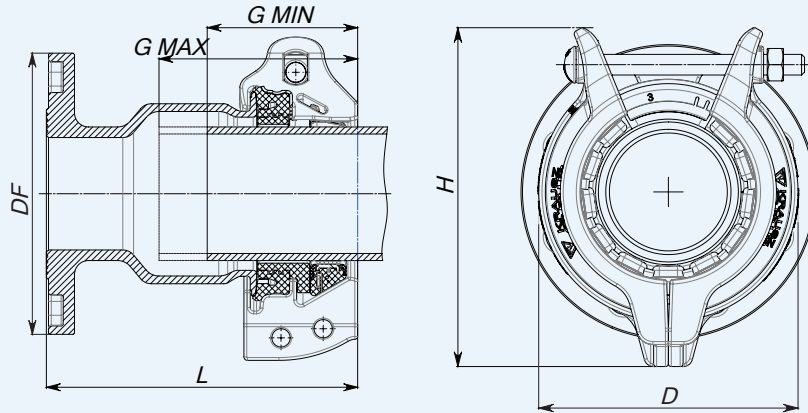
HYMAX GRIP FLANGE ADAPTOR NOMINAL SIZE 1.5"-2.5" (※)



Krausz Part Number	ND (inch)	Flange Oval (inch)	Overall Range (inch)	Before Removal of Inner Layer (inch)	After Removal of Inner Layer (inch)	L (inch)	D (inch)	H (inch)	G - Max Stab Depth (inch)	Bolts Qty.-Size	Approx. Weight (Lbs)
130-XX-015039-15-16	1.5/2	1.5	1.54 - 2.64	1.54 - 2.20	2.17 - 2.64	7.1	5.35	7.48	4.5	1 - M14	9.72
130-XX-015039-20-16	1.5/2	2	1.54 - 2.64	1.54 - 2.20	2.17 - 2.64	7.1	5.35	7.48	4.7	1 - M14	9.96
130-XX-025059-20-16	2.5	2	2.32 - 3.43	2.32 - 2.99	2.95 - 3.43	7.1	6.18	8.07	4.5	1 - M14	11.33

* NOTE: only configs 56 & 57 are relevant for 1.5"-3" sizes

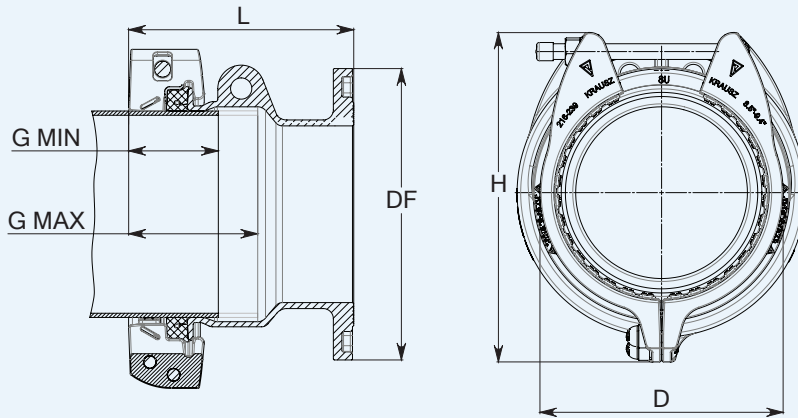
HYMAX GRIP FLANGE ADAPTOR NOMINAL SIZE 3" (※)



Krausz Part Number	Nominal Diameter (inch)	Overall Range (inch)	Before Removal of Inner Layer (inch)	After Removal of Inner Layer (inch)	DF (inch)	L (inch)	D (inch)	H (inch)	G - Max Stab Depth (inch)	Bolts Qty.-Size	Approx. Weight (Lbs)
130-XX-030080-16	3	3.15-4.17	3.15-3.74	3.70-4.17	7.87	8.74	6.93	9.06	5.5	1 - M14	21.25

* NOTE: only configs 56 & 57 are relevant for 1.5"-3" sizes

HYMAX GRIP FLANGE ADAPTOR NOMINAL SIZE 4" - 12"



Krausz Part Number	Nominal Diameter (inch)	Overall Range (inch)	DF (inch)	L (inch)	D (inch)	H (inch)	G - Max Stab Depth (inch)	Bolts Qty.-Size	Approx. Weight (Lbs)
130-XX-04111-16	4	4.40-5.10	9	8.6	8.7	10.6	5.3	1 - 5/8	27.6
130-XX-06165-16	6	6.50-7.20	11.2	9.9	10.9	12.9	5.7	1 - 5/8	39.5
130-XX-08216-16	8	8.50-9.40	13.5	10.4	13.8	15.7	5.9	1 - 3/4	61.4
130-XX-10270-16	10	10.65-11.55	16	10.7	16.2	18.2	5.9	1 - 3/4	81.3
130-XX-12322-16	12	12.68-13.39	19	11.7	17.4	19.8	6.3	1 - 3/4	106.3