



HYMAX GRIP® END CAP*

(1.5"-12")

HYMAX®
Repair the past. Connect the future.

PRODUCT SPECIFICATIONS

FEATURES

- CAPS A WIDE RANGE OF PIPING TYPES AND DIAMETERS
- UNIQUE RADIAL GRIPPING SYSTEM
- UNIVERSAL GRIPPING TEETH FIT METAL AND PLASTIC PIPES
- READY TO USE, STAB-FIT DESIGN
- ALLOWS 4° DYNAMIC DEFLECTION, REDUCING FUTURE DAMAGE
- DURABLE DUCTILE IRON BODY
- PATENTED HYDRAULICALLY-ASSISTED GASKET WITH 2-STAGE SEALING

SPECIFICATIONS

STANDARDS

HYMAX GRIP END CAP MEETS OR EXCEEDS STANDARDS AWWA C-219, NSF 61, NSF 372.

SIZE

AVAILABLE IN NOMINAL DIAMETER FROM 1.5"-12" STANDARD.

MATERIALS

END CAP BODY

DUCTILE IRON CASTING ASTM A536 GRADE 65-45-12. THREADED OUTLET 2" NPT. PRODUCT SIZES 3"-12" WITH HANDLE.

END RINGS

1.5"-3" CAST STEEL ASTM A216 WCB.
4"-12" DUCTILE IRON CASTING ASTM A536 GRADE 60-40-18.

GASKETS

EPDM AND NBR AVAILABLE. BOTH ARE COMPOUNDED FOR WATER AND SEWAGE, MEET INTERNATIONAL STANDARDS FOR CONTACT WITH DRINKING WATER. PRODUCTS WITH NBR ARE MTO (MADE TO ORDER).

GRIP CHAIN

GRIPPING TEETH: **SIZES 1.5"-3"** AISI 440C **SIZES 4"-12"** AISI 420 2B OR AISI 440C

BRIDGE

AISI 304 STAINLESS STEEL.

SPHERICAL SPACERS

AISI 304 STAINLESS STEEL.

COATING

100% FUSION BONDED EPOXY FOR ENHANCED CORROSION PROTECTION. NOMINAL THICKNESS 14 MIL.

NUTS AND BOLTS

AISI 304 STAINLESS STEEL. ROLLED THREAD AND ANTI-GALLING COATING.

* REGISTERED PATENT

PRODUCT PERFORMANCE (*)

WORKING TEMPERATURE EPDM: -20°F UP TO +125°F

NBR: -4°F UP TO +125°F

DYNAMIC DEFLECTION UP TO 4°

MINIMUM PIPE INSERTION 3.6"

MAXIMUM PIPE INSERTION SEE TABLES BELOW

MAXIMUM OUT OF ROUNDNESS 1.5" - 3" 4" - 12"
0.12" 0.16"

VACUUM TEST 12 PSI

PRESSURES

ND (inch)	Standard Pressure GRIP			
	Steel, DI, CI & PVC		HDPE	
	Working Pressure (PSI)	Rated Pressure (PSI)	Working Pressure (PSI)	Rated Pressure (PSI)
1.5/2	232	350	232	350
2.5	232	350	232	350
3	232	350	232	350
4	232	350	232	350
6	232	350	232	350
8	232	350	193	290
10	232	350	163	245
12	232	350	155	232

ND (inch)	High Pressure GRIP	
	Steel, DI, CI, PVC & HDPE Pipe	
	Working Pressure (PSI)	Rated Pressure (PSI)
4	250	500
6	250	500
8	250	500
10	250	500
12	250	500

* SEE SUBMITTAL DRAWINGS FOR DETAILS.

PRODUCT TABLES

TORQUE

ND (inch)	EPDM (Ft-Lb)	NBR (Ft-Lb)
1.5/2	70	70
2.5	70	70
3	70	70
4	90	105
6	110	110
8	200	200
10	200	200
12	200	200

PRODUCT CONFIGURATIONS

The product is offered in several different configurations. Note that the "xx" marking in the Cat. no. should be replaced as directed:

Part Number 867-XX

56 -> Standard Pressure Grip with EPDM gasket

57 -> Standard Pressure Grip with NBR gasket

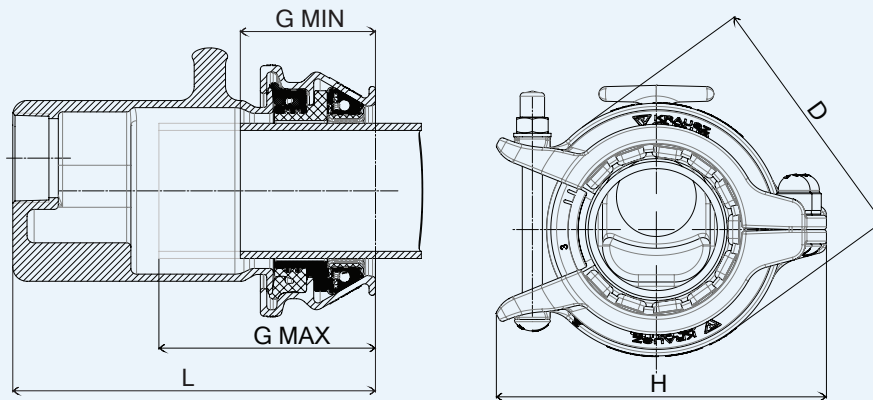
58 -> High Pressure Grip with EPDM gasket

59 -> High Pressure Grip with NBR gasket

For example -

867-XX-025059-16 should be read as 867-56-025059-16 for EPDM gasket and 867-57-025059-16 for NBR gasket.

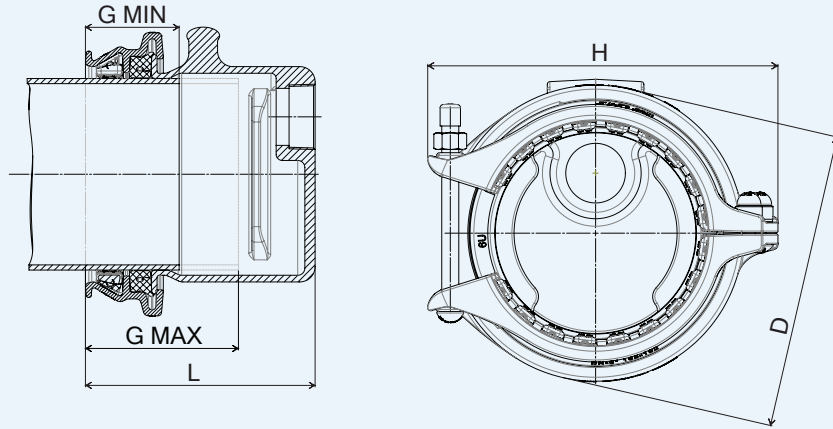
HYMAX GRIP END CAP NOMINAL SIZES 1.5" - 3" (*)



Krausz Part Number	Nominal Diameter (inch)	Overall Range (inch)	Before Removal of Inner layer (inch)	After Removal of Inner layer (inch)	L (inch)	D (inch)	H (inch)	G-Max Stab Depth (inch)	Bolts Qty. -Size	Approx. Weight (Lbs)
867-XX-015039-16	1.5/2	1.54-2.64	1.54-2.20	2.17-2.64	6.8	5.35	7.48	4.7	1 - M14	10.52
867-XX-025059-16	2.5	2.32-3.43	2.32-2.99	2.95-3.43	8.3	6.18	8.07	5.7	1 - M14	15.34
867-XX-030080-16	3	3.15-4.17	3.15-3.74	3.70-4.17	10	6.93	9.06	6.3	1 - M14	20.28

* Only configurations 56 and 57 are relevant for sizes 1.5"-3"

HYMAX GRIP END CAP NOMINAL SIZES 4" -12"



Krausz Part Number	Nominal Diameter (inch)	Overall Range (inch)	L (inch)	D (inch)	H (inch)	G-Max Stab Depth (inch)	Bolts Qty. -Size	Approx. Weight (Lbs)
867-XX-04111-16	4	4.40-5.10	8.1	8.7	10.6	5.3	1 - 5/8	24
867-XX-06165-16	6	6.50-7.20	8.9	10.9	12.9	5.9	1 - 5/8	33
867-XX-08216-16	8	8.50-9.40	9.1	13.8	15.7	6.2	1 - 3/4	55.2
867-XX-10270-16	10	10.65-11.55	9.1	16.2	18.2	6.2	1 - 3/4	74.8
867-XX-12322-16	12	12.68-13.39	9.1	17.4	19.8	6.2	1 - 3/4	86.6