



# HYMAX GRIP® ELBOW \*

(4"-12" 45° AND 90°)

**HYMAX®**  
Repair the past. Connect the future.

## PRODUCT SPECIFICATIONS

### FEATURES

- JOINS AND RESTRAINS A WIDE RANGE OF PIPE TYPES AT ANGLES OF EITHER 45° OR 90°
- UNIQUE RADIAL GRIPPING SYSTEM PREVENTS PIPE MOTION
- UNIVERSAL GRIPPING TEETH FIT METAL AND PLASTIC PIPES
- READY TO USE, STAB-FIT DESIGN
- ALLOWS 4° DYNAMIC DEFLECTION, REDUCING FUTURE DAMAGE
- DURABLE DUCTILE IRON BODY
- PATENTED HYDRAULICALLY-ASSISTED GASKET WITH 2-STAGE SEALING

### SPECIFICATIONS

#### STANDARDS

ALL PRODUCTS MEET OR EXCEED STANDARDS AWWA C-219, NSF-61 AND NSF-372.

#### SIZE

AVAILABLE IN NOMINAL DIAMETER SIZES 4"-12" AT 45° AND 90° ANGLES.

#### MATERIALS

##### END RINGS

DUCTILE IRON CASTING ASTM A536 GRADE 60-40-18.

##### CENTER RING

DUCTILE IRON CASTING ASTM A536 GRADE 65-45-12. ALL PRODUCT SIZES WITH LIFTING EYE.

##### GASKET

EPDM COMPOUNDED FOR WATER AND SEWAGE, MEETS INTERNATIONAL STANDARDS FOR CONTACT WITH DRINKING WATER. NBR IS AVAILABLE AS MTO PRODUCT UPON REQUEST (MADE TO ORDER).

##### GRIP CHAIN

AISI-420

##### BRIDGE

AISI 304 STAINLESS STEEL.

##### SPHERICAL SPACERS

AISI 304 STAINLESS STEEL.

##### COATING

100% FUSION BONDED EPOXY FOR ENHANCED CORROSION PROTECTION. NOMINAL THICKNESS 14 MIL.

##### NUTS AND BOLTS

AISI 304 STAINLESS STEEL. ROLLED THREAD AND ANTI-GALLING COATING.

\* REGISTERED PATENT

## PRODUCT PERFORMANCE (\*)

**WORKING TEMPERATURE** EPDM: -20°F UP TO +125°F

**DYNAMIC DEFLECTION** UP TO 4° PER SIDE

**MIN. PIPE INSERTION** 3.6"

**MAXIMUM OUT OF ROUNDNESS** 0.16"

**VACUUM TEST** 12 PSI

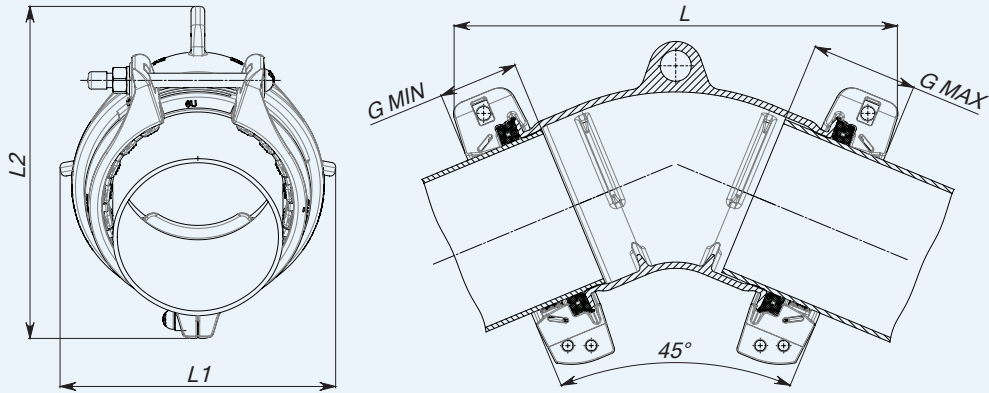
### PRESSURES & $\Delta T$

$\Delta T$  - HDPE pipe expands and contracts with changes in temperature and exerts large pull-load forces on the coupling.  $\Delta T$  for HDPE pipe is the change in temperature the coupling can withstand when installed on HDPE pipe.

ND (inch)	Standard Pressure GRIP				$\Delta T$ for HDPE SDR 9 (°F)
	Steel, DI, CI & PVC		HDPE		
	Working Pressure (PSI)	Rated Pressure (PSI)	Working Pressure (PSI)	Rated Pressure (PSI)	
4	232	350	232	350	85
6	232	350	232	350	85
8	232	350	193	290	50
10	232	350	163	245	50
12	232	350	155	232	35

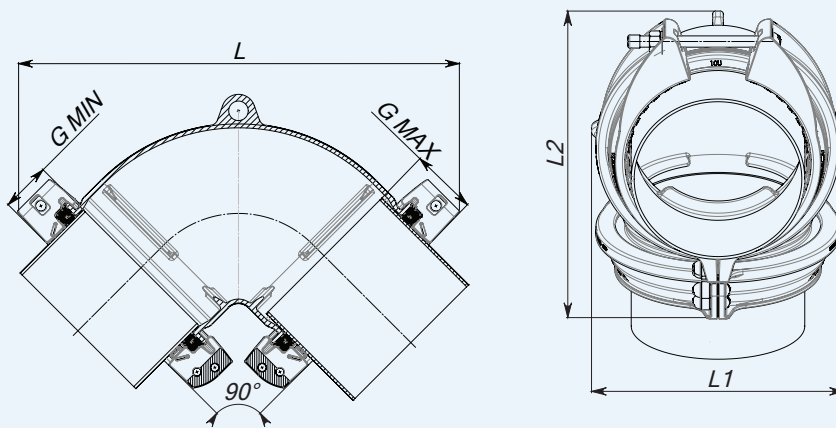
## PRODUCT TABLES

### HYMAX GRIP ELBOW NOMINAL SIZES 4"-12" 45 DEG.



Krausz Part Number	Nominal Diameter (inch)	Overall Range (inch)	L (inch)	L1 (inch)	L2 (inch)	G-Max (inch)	Torque (ft-Lb)	Bolts Qty.-Size (inch)	Approx. Weight (Lb)
893-56-04111-16	4	4.40-5.10	17.2	9.8	12.1	4.7	90	2-5/8	39.9
893-56-06165-16	6	6.50-7.20	19.7	11.9	14.3	4.7	110	2-5/8	53
893-56-08216-16	8	8.50-9.40	22.4	14.1	16.9	4.9	200	2-3/4	89.4
893-56-10270-16	10	10.65-11.55	25.2	16.2	19.3	4.9	200	2-3/4	121.1
893-56-12322-16	12	12.68-13.39	27.5	17.4	21.1	4.9	200	2-3/4	139.1

### HYMAX GRIP ELBOW NOMINAL SIZES 4"-12" 90 DEG.



Krausz Part Number	Nominal Diameter (inch)	Overall Range (inch)	L (inch)	L1 (inch)	L2 (inch)	G-Max (inch)	Torque (ft-Lb)	Bolts Qty.-Size (inch)	Approx. Weight (Lb)
894-56-04111-16	4	4.40-5.10	19.9	9	13.6	4.7	90	2-5/8	42.8
894-56-06165-16	6	6.50-7.20	24.3	10.4	15.9	4.7	110	2-5/8	55.7
894-56-08216-16	8	8.50-9.40	28.3	12.6	18.5	4.9	200	2-3/4	97.9
894-56-10270-16	10	10.65-11.55	31.1	16.6	20.9	4.9	200	2-3/4	132.1
894-56-12322-16	12	12.68-13.39	34.1	18.5	22.4	4.9	200	2-3/4	150.1