



HYMAX GRIP®

LARGE DIAMETER * (16")

HYMAX®
Repair the past. Connect the future.

PRODUCT SPECIFICATIONS

FEATURES

- THE FIRST RESTRAINT PRODUCT OF ITS SIZE WITH ONLY FOUR TOP-FACING BOLTS AND A STAB-FIT, ONE PIECE DESIGN- FOR FASTER AND SAFER INSTALLATION
- EXERTS GRIPPING POWER EQUAL TO 70 TONS ON CONNECTING PIPES
- RESTRAINS BOTH PLASTIC AND METAL PIPES, INCLUDING HDPE, AND REPLACES THE NEED TO USE DEDICATED PRODUCTS
- PATENTED GRIP CHAIN OFFERS CIRCULAR RESTRAINT AROUND THE PIPE
- PATENTED RADIAL CLOSING MECHANISM HOLDS PIPES TIGHTLY IN PLACE DURING INSTALLATION
- ALLOWS DYNAMIC DEFLECTION OF THE PIPE FOR UP TO 4° PER SIDE, REDUCING FUTURE PIPE CRACKS AND BREAKS

SPECIFICATIONS

STANDARDS

HYMAX GRIP LARGE DIAMETER MEETS OR EXCEEDS STANDARDS AWWA C-219, NSF 61, NSF 372.

SIZE

AVAILABLE IN NOMINAL DIAMETER FROM 16"

MATERIALS

END RINGS

DUCTILE IRON CASTING ASTM A536 GRADE 65-45-12.

CENTER RING

DUCTILE IRON CASTING ASTM A536 GRADE 65-45-12.

GASKETS

EPDM COMPOUNDED FOR WATER AND SEWAGE, MEET INTERNATIONAL STANDARDS FOR CONTACT WITH DRINKING WATER.

GRIP CHAIN

GRIPPING TEETH: AISI 440 C SIZES 4"-12"
AISI 420 2B OR AISI 440C

BRIDGE

AISI 304 STAINLESS STEEL.

SPHERICAL SPACERS

AISI 304 STAINLESS STEEL.

COATING

100% FUSION BONDED EPOXY FOR ENHANCED CORROSION PROTECTION.
NOMINAL THICKNESS 14 MIL.

NUTS, BOLTS & WASHERS

AISI 304 STAINLESS STEEL. ROLLED THREAD AND ANTI-GALLING COATING.

PRODUCT PERFORMANCE (**)

WORKING TEMPERATURE

EPDM: -20°F UP TO +180°F

DYNAMIC DEFLECTION

UP TO 4° PER SIDE

MIN. PIPE INSERTION

5.9"

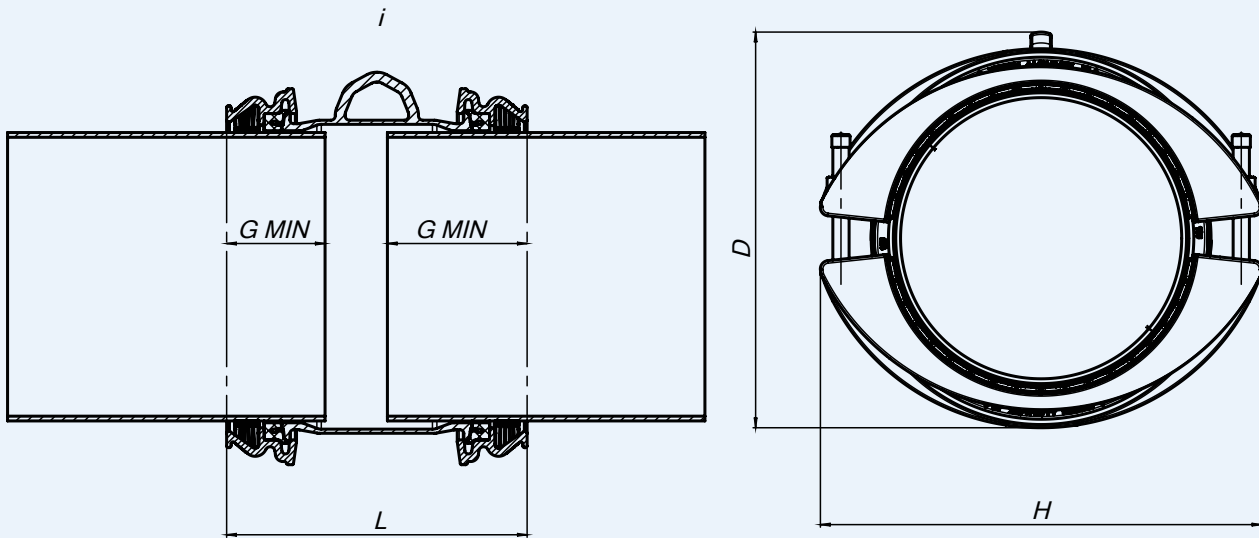
* REGISTERED PATENT

** SEE SUBMITTAL DRAWINGS FOR DETAILS.

MAXIMUM OFFSET FOR MISALIGNED PIPES	0.25"
MAXIMUM OUT OF ROUNDNESS	0.16"
VACUUM TEST	12 PSI
PRESSURES & ΔT	

	High Pressure GRIP		
	Steel, DI, CI, PVC & HDPE		
ND (inch)	Working Pressure (PSI)	Rated Pressure (PSI)	ΔT for HDPE SDR 9 (°F)
16	250	500	50

PRODUCT TABLE



Krausz Part Number	Nominal Diameter (inch)	Overall Range (inch)	L (inch)	D (inch)	H (inch)	G - Max Stab Depth (inch)	G-Min Stab Depth (inch)	Bolts Qty. -Size	Torque (Ft-Lb)	Approx. Weight (Lbs)
890-56-16438-17	16	17.25-17.88	18.6	27.1	24.3	8.3	5.9	1 - 4"	350	251