



HYMAX GRIP[®] MJ CUT-IN-SLEEVE * (4"-6")

HYMAX[®]
Repair the past. Connect the future.

PRODUCT SPECIFICATIONS

FEATURES

- THE FIRST TRANSITION COUPLING THAT CAN CONNECT TO A MECHANICAL JOINT WHILE RESTRAINING THE CONNECTING PLAIN PIPE- SAVING TIME ON CUTTING AND INSTALLING EXTRA PIPE
- WIDE-RANGE- REPLACES THE NEED TO USE DEDICATED-SIZED TRANSITION COUPLINGS TO HELP REDUCE INVENTORY COSTS AND SAVE SHELF-SPACE
- LIGHTWEIGHT, ONLY 1 BOLT TO TIGHTEN- FOR FASTER AND SAFER INSTALLATION
- PATENTED GRIP CHAIN OFFERS CIRCULAR RESTRAINT AROUND THE PIPE
- PATENTED RADIAL CLOSING MECHANISM HOLDS PIPES TIGHTLY IN PLACE DURING INSTALLATION
- ALLOWS DYNAMIC DEFLECTION OF THE PIPE FOR UP TO 4° PER SIDE, REDUCING FUTURE PIPE CRACKS AND BREAKS

SPECIFICATIONS

STANDARDS

HYMAX GRIP MJ CUT-IN-SLEEVE MEETS OR EXCEEDS STANDARDS AWWA C-219, NSF 61, NSF 372.

SIZE

AVAILABLE IN NOMINAL DIAMETER 4"-6"

MATERIALS

END RINGS

DUCTILE IRON CASTING ASTM A536 GRADE 60-40-18.

CENTER RING

DUCTILE IRON CASTING ASTM A536 GRADE 65-45-12.
MJ ADAPTOR COMPATIBLE WITH ANSI/AWWA C111/ A21.11-12.

GASKETS

EPDM COMPOUNDED FOR WATER AND SEWAGE, MEETS INTERNATIONAL STANDARDS FOR CONTACT WITH DRINKING WATER.

GRIP CHAIN

GRIPPING TEETH: AISI 420 2B OR AISI 440C

BRIDGE

AISI 304 STAINLESS STEEL.

SPHERICAL SPACERS

AISI 304 STAINLESS STEEL.

COATING

100% FUSION BONDED EPOXY FOR ENHANCED CORROSION PROTECTION.
NOMINAL THICKNESS 14 MIL.

NUTS, BOLTS & WASHERS

AISI 304 STAINLESS STEEL. ROLLED THREAD AND ANTI-GALLING COATING.

PRODUCT PERFORMANCE (**)

WORKING TEMPERATURE

-20°F UP TO +180°F

DYNAMIC DEFLECTION

UP TO 4° PER SIDE

MIN. PIPE INSERTION

3.6"

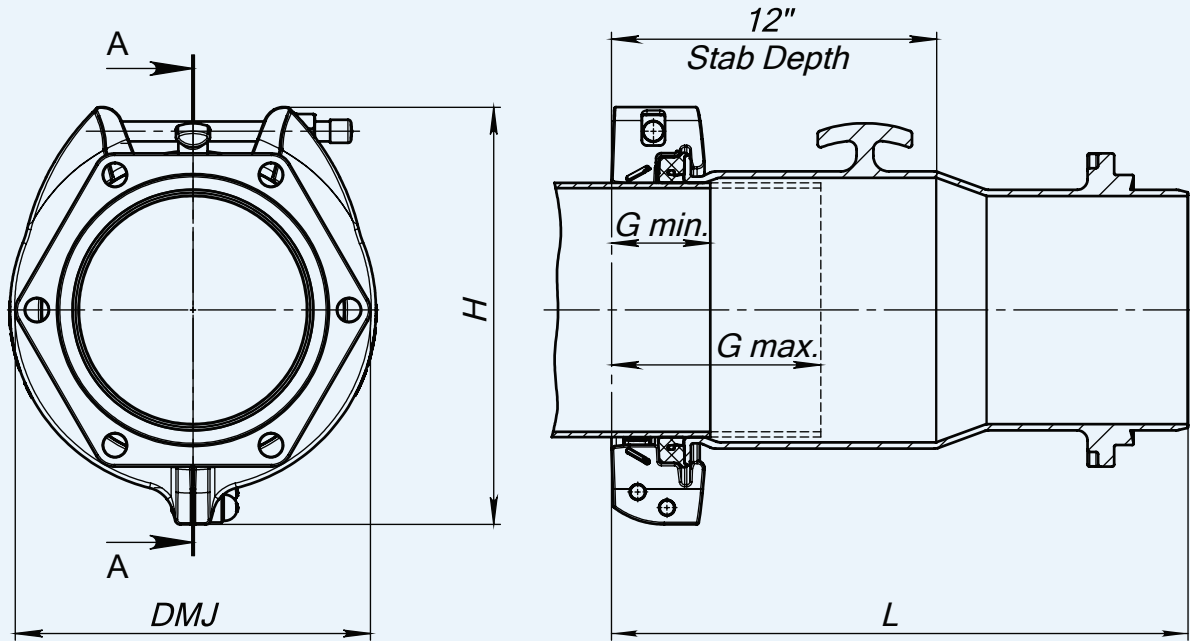
* REGISTERED PATENT

** SEE SUBMITTAL DRAWINGS FOR DETAILS.

MAXIMUM OFFSET FOR MISALIGNED PIPES	0.12"
MAXIMUM OUT OF ROUNDNESS	0.16"
VACUUM TEST	12 PSI
PRESSURES & ΔT	

ND (inch)	High Pressure GRIP		ΔT for HDPE SDR 9 (°F)
	Working Pressure (PSI)	Rated Pressure (PSI)	
4	232	350	85
6	232	350	85

PRODUCT TABLE



Krausz Part Number	Nominal Diameter (inch)	Overall Range (inch)	DMJ (inch)	L (inch)	D (inch)	H (inch)	G - Max Stab Depth (inch)	Bolts Qty. -Size	Torque (Ft-Lb)	Approx. Weight (Lbs)
791-56-04111-16	4	4.40-5.10	9.22	21.65	8.7	10.6	7.5	1-5/8"	90	39.07
791-56-06165-16	6	6.50-7.20	11.12	21.65	10.9	12.9	8.2	1-5/8"	110	54.54