



# HYMAX<sup>®</sup> COUPLING\*

(14"-60")

**HYMAX<sup>®</sup>**  
Repair the past. Connect the future.

## PRODUCT SPECIFICATIONS

### FEATURES

- GAME-CHANGING WIDE-RANGE COUPLING, PROVEN IN OVER 1M INSTALLATIONS IN THE US
- SUITABLE FOR ALL TYPES OF PIPES - DUCTILE IRON, CAST IRON, STEEL, COPPER, PE, PVC, AC, GRP
- PATENTED HYDRAULICALLY-ASSISTED GASKET WITH 2-STAGE SEALING
- LIGHTWEIGHT CONSTRUCTION ENABLES FAST AND EASY INSTALLATION
- ALLOWS 4° DYNAMIC DEFLECTION ON EACH END, REDUCING FUTURE PIPE DAMAGE
- ONE PRODUCT CAN CONNECT PIPES OF TWO DIFFERENT MATERIALS

### SPECIFICATIONS

#### STANDARDS

HYMAX MEETS OR EXCEEDS STANDARDS AWWA C-219, NSF 61, NSF 372.

#### SIZE

AVAILABLE IN NOMINAL DIAMETER FROM 14" - 60".  
CALL KRAUSZ FOR DETAILS.

#### MATERIALS

##### END RINGS

14" - 16" ASTM A283 / A283M GRADE C STEEL.  
(OR DUCTILE IRON CASTING ASTM A536 GRADE 60-40-18).  
18" - 60" ASTM A283 / A283M GRADE C STEEL.

##### CENTER RING

14" - 60" ASTM A283 / A 283M GRADE C STEEL.

##### GASKETS

EPDM AVAILABLE. COMPOUNDED FOR WATER AND SEWAGE,  
MEETS INTERNATIONAL STANDARDS FOR CONTACT WITH DRINKING WATER.

##### BRIDGE

AISI 304 STAINLESS STEEL.

##### SPHERICAL SPACERS

AISI 304 STAINLESS STEEL.

##### COATING

100% FUSION BONDED EPOXY FOR ENHANCED CORROSION PROTECTION.  
AVERAGE THICKNESS 14 MIL.

##### NUTS AND BOLTS

AISI 304 STAINLESS STEEL. ROLLED THREAD AND ANTI-GALLING COATING.

\* REGISTERED PATENT

## PRODUCT PERFORMANCE (\*)

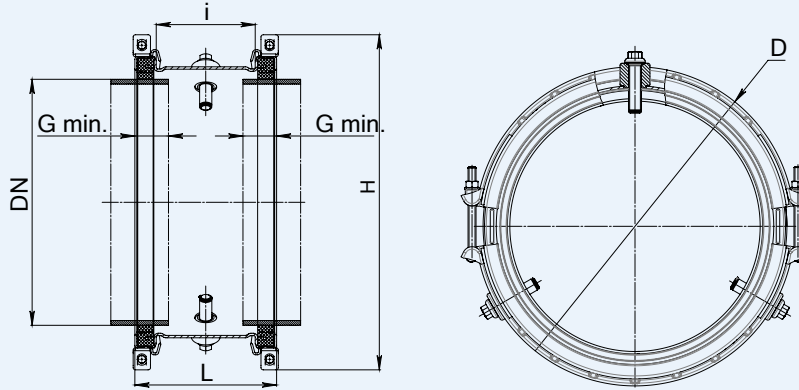
<b>WORKING TEMPERATURE</b>	EPDM: -20°F UP TO +125°F		
<b>DYNAMIC DEFLECTION</b>	UP TO 4° PER SIDE.		
<b>MIN. PIPE INSERTION</b>	14" - 60" 4"		
<b>MAXIMUM OFFSET FOR MISALIGNED PIPES</b>	14" - 60" 0.51"		
<b>MAXIMUM OUT OF ROUNDNESS</b>	14" - 60" 0.51"		
<b>WORKING PRESSURE</b>	1.5" - 16" 260 PSI	18" - 24" 232 PSI	26" - 60" CALL KRAUSZ FOR DETAILS.
<b>RATED PRESSURE</b>	14" - 16" 390 PSI	18" - 24" 350 PSI	26" - 60" CALL KRAUSZ FOR DETAILS.
<b>VACUUM TEST</b>	12 PSI		

\* SEE SUBMITTAL DRAWINGS FOR DETAILS.

# PRODUCT TABLES

## Part Number 860-XX

56 -> EPDM gasket



### HYMAX NOMINAL SIZES 14" -24"

Krausz Part Number	ND (inch)	Overall Range (inch)	Before Removal of Inner Layer (inch)	After Removal of Inner Layer (inch)	D (inch)	H (inch)	i (inch)	L (inch)	G-Min Pipe Insert (inch)	Bolts Qty. and Size (mm)	Torque (Ft-Lb)	Working Pressure (PSI)	Rated Pressure (PSI)	Approx. Weight (Lbs)
860-56-0378-16P	14	15.00-17.10	15.00-16.10	16.02-17.10	Ø21.0	23.2	8.0	11.6	4.0	4 -M16	150	260	390	92
860-56-0434-16P	16	17.10-19.20	17.10-18.19	18.11-19.20	Ø23.2	25.6	8.0	11.6	4.0	4 -M16	150	260	390	101
860-56-0488-16P	18	19.20-21.30	19.20-20.29	20.21-21.30	Ø25.3	27.8	8.0	11.6	4.0	4 -M16	150	232	350	101
860-56-0497-16P	20	19.60-21.70	19.60-20.69	20.61-21.70	Ø25.6	28.1	8.0	11.6	4.0	4 -M16	150	232	350	105
860-56-0540-16P	20	21.25-23.35	21.25-22.35	22.27-23.35	Ø27.3	29.8	8.0	11.6	4.0	4 -M16	150	232	350	110
860-56-0606-16P	24	23.85-25.95	23.85-24.96	24.88-25.95	Ø29.1	31.7	8.0	11.6	4.0	4 -M16	150	232	350	120
860-56-0624-16P	24	24.60-26.70	24.60-25.67	25.59-26.70	Ø30.6	33.2	8.0	11.6	4.0	4 -M16	150	232	350	120

HYMAX 26"-60" - MTO (MADE TO ORDER) AVAILABLE  
 FOR SPECIFIC SIZES OF PRODUCTS IN STOCK, CALL KRAUSZ FOR DETAILS.

# **HYMAX<sup>®</sup>**

Repair the past. Connect the future.

---

 **KRAUSZ** is the creator of HYMAX

**331SW 57TH AVENUE, OCALA, FLORIDA 34474**

**TEL: 855-457-2879 | 855-4KRAUSZ**

**FAX: 352-304-5787**

**[info@krauszusa.com](mailto:info@krauszusa.com) | [www.krauszusa.com](http://www.krauszusa.com)**

---

This product is protected under a registered patent. See Krausz website for details. Copyright © 2017 Krausz Industries Ltd., All rights reserved

**PS0100 REV A**