



HYMAX GRIP® COUPLING RESTRAINT* (1.5"-12")

HYMAX®
Repair the past. Connect the future.

PRODUCT SPECIFICATIONS

FEATURES

- JOINS AND RESTRAINS A WIDE RANGE OF PIPING TYPES AND DIAMETERS
- UNIQUE RADIAL GRIPPING SYSTEM PREVENTS PIPE MOTION
- UNIVERSAL GRIPPING TEETH FIT METAL AND PLASTIC PIPES
- READY TO USE, STAB-FIT DESIGN
- ALLOWS 4° DYNAMIC DEFLECTION PER END, REDUCING FUTURE DAMAGE
- DURABLE DUCTILE IRON BODY
- PATENTED HYDRAULICALLY-ASSISTED GASKET WITH 2-STAGE SEALING

SPECIFICATIONS

STANDARDS

HYMAX GRIP MEETS OR EXCEEDS STANDARDS
AWWA C-219, NSF 61, NSF 372.

SIZE

AVAILABLE IN NOMINAL DIAMETER FROM 1.5"-12".

MATERIALS

END RINGS

1.5"- 3" - CAST STEEL ASTM A216 WCB.
4"- 12" - DUCTILE IRON CASTING ASTM A536 GRADE 60-40-18.

CENTER RING

1.5"- 12" DUCTILE IRON CASTING ASTM A536 GRADE 65-45-12.
PRODUCT SIZES 3"-12" WITH HANDLE.

GASKETS

EPDM AND NBR AVAILABLE. BOTH ARE COMPOUNDED FOR WATER AND SEWAGE, MEET INTERNATIONAL STANDARDS FOR CONTACT WITH DRINKING WATER.

GRIP CHAIN

GRIPPING TEETH: SIZE 1.5"-3" Fe2Ni	SIZES 4"-12" AISI 420	SIZES 4"-12" HIGH PRESSURE Fe2Ni
---------------------------------------	--------------------------	-------------------------------------

BRIDGE

AISI 304 STAINLESS STEEL.

SPHERICAL SPACERS

AISI 304 STAINLESS STEEL.

COATING

100% FUSION BONDED EPOXY FOR ENHANCED CORROSION PROTECTION.
AVERAGE THICKNESS 14 MIL.

NUTS, BOLTS & WASHERS

AISI 304 STAINLESS STEEL. ROLLED THREAD AND ANTI-GALLING COATING.

PRODUCT PERFORMANCE (**)

WORKING TEMPERATURE

EPDM: -20°F UP TO +125°F
NBR: -4°F UP TO +125°F

DYNAMIC DEFLECTION

UP TO 4° PER SIDE

MIN. PIPE INSERTION

3.6"

* REGISTERED PATENT

** SEE SUBMITTAL DRAWINGS FOR DETAILS.

MAXIMUM OFFSET FOR MISALIGNED PIPES 0.25"

MAXIMUM OUT OF ROUNDNESS 1.5"-3" 4"- 12"
0.12" 0.16"

VACUUM TEST 12 PSI

PRESSURES & ΔT

ΔT - HDPE pipe expands and contracts with changes in temperature and exerts large pull-load forces on the coupling. ΔT for HDPE pipe is the change in temperature the coupling can withstand when installed on HDPE pipe.

ND (inch)	Standard Pressure GRIP				ΔT for HDPE SDR 9 (°F)
	Steel, DI, CI & PVC		HDPE		
	Working Pressure (PSI)	Rated Pressure (PSI)	Working Pressure (PSI)	Rated Pressure (PSI)	
1.5/2	232	350	232	350	85
2.5	232	350	232	350	85
3	232	350	232	350	85
4	232	350	232	350	85
6	232	350	232	350	85
8	232	350	193	290	50
10	232	350	163	245	50
12	232	350	155	232	35

ND (inch)	High Pressure GRIP		
	Steel, DI, CI, PVC & HDPE		
	Working Pressure (PSI)	Rated Pressure (PSI)	ΔT for HDPE SDR 9 (°F)
4	250	500	100
6	250	500	100
8	250	500	100
10	250	500	100
12	250	500	70

PRODUCT TABLES

TORQUE

ND (inch)	EPDM (Ft-Lb)	NBR (Ft-Lb)
1.5/2	70	70
2.5	70	70
3	70	70
4	90	105
6	110	110
8	200	200
10	200	200
12	200	200

PRODUCT CONFIGURATIONS

The product is offered in several different configurations. Note that the "xx" marking in the Cat. no. should be replaced as directed:

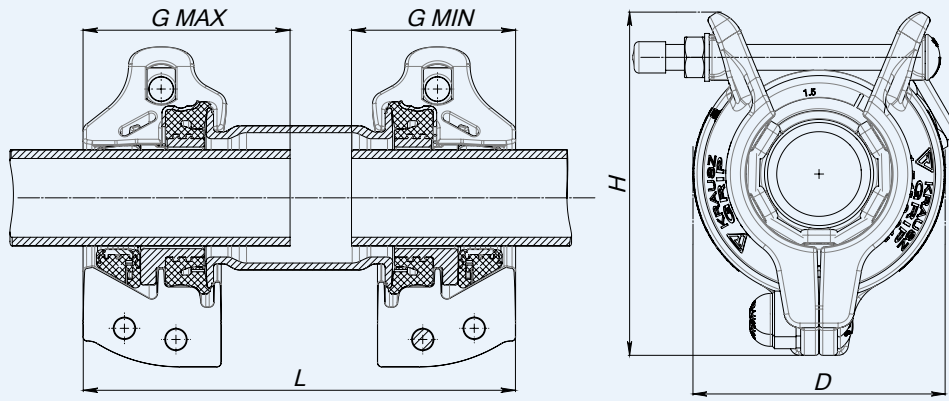
Part Number 890-XX

- 56 -> Standard Pressure Grip with EPDM gasket
- 57 -> Standard Pressure Grip with NBR gasket
- 58 -> High Pressure Grip with EPDM gasket
- 59 -> High Pressure Grip with NBR gasket

For example -

890-XX-015039-16 should be read as 890-56-015039-16 for EPDM gasket and 890-57-015039-16 for NBR gasket.

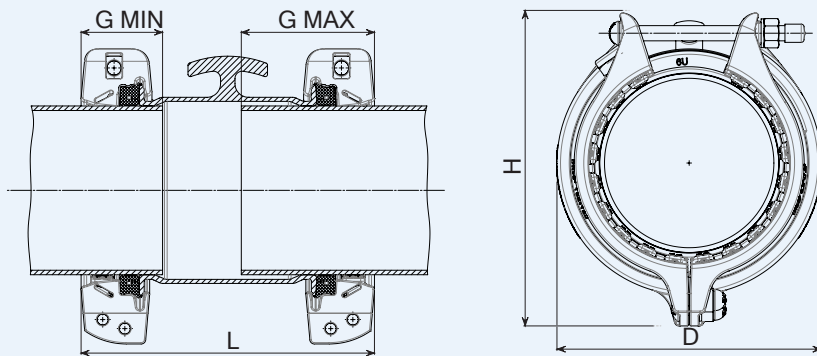
HYMAX GRIP NOMINAL SIZE 1.5"-3" (✳)



Krausz Part Number	Nominal Diameter (inch)	Overall Range (inch)	Before Removal of Inner Layer (inch)	After Removal of Inner Layer (inch)	L (inch)	D (inch)	H (inch)	Bolts Qty. -Size	G - Max Stab Depth (inch)	Approx. Weight (Lbs)
890-XX-015039-16	1.5/2	1.54-2.64	1.54-2.20	2.17-2.64	10	5.35	7.48	2 - M14	4.5	15.45
890-XX-025059-16	2.5	2.32-3.43	2.32-2.99	2.95-3.43	10	6.18	8.07	2 - M14	4.5	20.26
890-XX-030080-16	3	3.15-4.17	3.15-3.74	3.70-4.17	11.93	6.93	9.06	2 - M14	5.5	25.53

* NOTE: only configs 56 & 57 are relevant for 1.5"-3" sizes

HYMAX GRIP NOMINAL SIZE 4"-12"



Krausz Part Number	Nominal Diameter (inch)	Overall Range (inch)	L (inch)	D (inch)	H (inch)	G - Max Stab Depth (inch)	Bolts Qty. -Size	Approx. Weight (Lbs)
890-XX-04111-16	4	4.40-5.10	11.4	8.7	10.6	5.3	2 - 5/8	32
890-XX-06165-16	6	6.50-7.20	12.8	10.9	12.9	5.9	2 - 5/8	43
890-XX-08216-16	8	8.50-9.40	13.3	13.8	15.7	6.1	2 - 3/4	74
890-XX-10270-16	10	10.65-11.55	13.5	16.2	18.2	6.3	2 - 3/4	92
890-XX-12322-16	12	12.68-13.39	13.5	17.4	19.8	6.3	2 - 3/4	100

HYMAX[®]

Repair the past. Connect the future.

 **KRAUSZ** is the creator of HYMAX

331SW 57TH AVENUE, OCALA, FLORIDA 34474

TEL: 855-457-2879 | 855-4KRAUSZ

FAX: 352-304-5787

info@krauszusa.com | www.krauszusa.com

This product is protected under a registered patent. See Krausz USA website for details. Copyright © 2017 Krausz Industries Ltd., All rights reserved