



# HYMAX GRIP<sup>®</sup>

## SWIVELJOINT (LALO)<sup>\*</sup>

(4"-12")

**HYMAX<sup>®</sup>**  
Repair the past. Connect the future.

### PRODUCT SPECIFICATIONS

#### FEATURES

- UNIQUE PRODUCT WITH ONE SWIVELING END
- JOINS AND RESTRAINS A WIDE RANGE OF PIPING TYPES AND DIAMETERS, AT ANY ANGLE FROM 0° TO 90°
- UNIQUE RADIAL GRIPPING SYSTEM PREVENTS PIPE MOTION
- UNIVERSAL GRIPPING TEETH FIT METAL AND PLASTIC PIPES
- READY TO USE, STAB-FIT DESIGN
- ALLOWS 4° DYNAMIC DEFLECTION PER END, REDUCING FUTURE DAMAGE
- DURABLE DUCTILE IRON BODY
- PATENTED HYDRAULICALLY-ASSISTED GASKET WITH 2-STAGE SEALING

#### SPECIFICATIONS

##### STANDARDS

HYMAX GRIP SWIVELJOINT MEETS AND EXCEEDS STANDARDS: AWWA C219, NSF-61 AND NSF-372.

##### SIZE/LENGTH

AVAILABLE IN NOMINAL DIAMETER 4", 6", 8", 10", 12".

##### MATERIALS

###### END RINGS

DUCTILE IRON CASTING ASTM A536 GRADE 60-40-18.

###### CENTER RING

(BODIES) - DUCTILE IRON CASTING ASTM A536 GRADE 65-45-12.

###### GASKETS

EPDM COMPOUNDED FOR WATER AND SEWAGE, MEETS INTERNATIONAL STANDARDS FOR CONTACT WITH DRINKING WATER.

###### GRIP CHAIN

AISI 420 2B.

###### BRIDGE

AISI 304 STAINLESS STEEL.

###### SPHERICAL SPACERS

AISI 304 STAINLESS STEEL.

###### COATING

100% FUSION BONDED EPOXY FOR ENHANCED CORROSION PROTECTION. AVERAGE THICKNESS 14 MIL.

###### BOLTS, NUTS & WASHERS

AISI 304 STAINLESS STEEL. ROLLED THREAD AND ANTI-GALLING COATING.

# PRODUCT PERFORMANCE (\*)

**WORKING TEMPERATURE** -20°F UP TO +125°F.

**DYNAMIC DEFLECTION** UP TO 4° PER SIDE.

**MIN. PIPE INSERTION** 3.6"

**MAXIMUM OUT OF ROUNDNESS** 0.16"

**VACUUM TEST** 12 PSI

## PRESSURES & ΔT

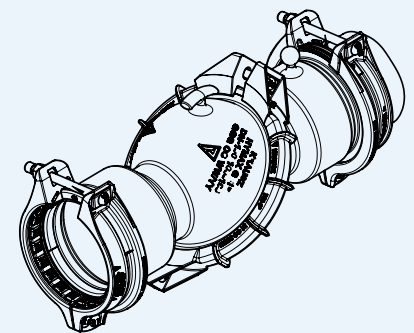
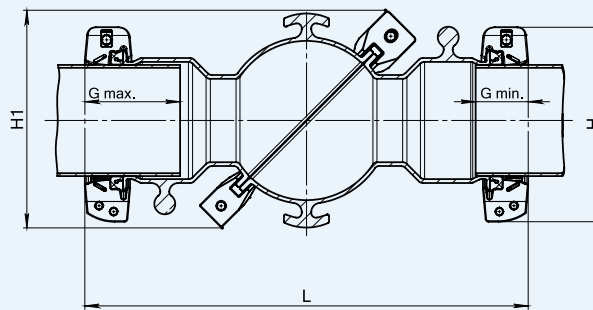
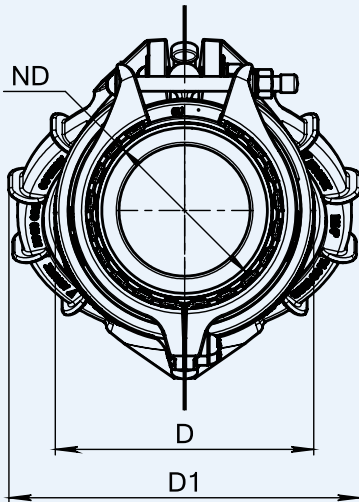
ΔT - HDPE pipe expands and contracts with changes in temperature and exerts large pull-load forces on the coupling.  
 ΔT for HDPE pipe is the change in temperature the coupling can withstand when installed on HDPE pipe.

ND (inch)	Standard Pressure GRIP				ΔT for HDPE SDR 9 (°F)
	Steel, DI, CI & PVC		HDPE		
	Working Pressure (PSI)	Rated Pressure (PSI)	Working Pressure (PSI)	Rated Pressure (PSI)	
4	232	350	232	350	85
6	232	350	232	350	85
8	232	350	193	290	50
10	232	350	163	245	50
12	232	350	155	232	35

\* SEE SUBMITTAL DRAWINGS FOR DETAILS.

## PRODUCT TABLES

### HYMAX GRIP SWIVELJOINT NOMINAL SIZE 4"-12"



Krausz Part Number	Nominal Diameter (inch)	Overall Range (inch)	L (inch)	D (inch)	H (inch)	D1 (inch)	H1 (inch)	G max (inch)	Bolts Qty.-Size (inch)	Torque (ft-lbs) one central bolt	Torque (ft-lbs) two side bolts	Approx Weight (Lb)
892-56-04111-16	4	4.40-5.10	25.3	8.7	10.6	12.4	12.2	6.1	3 - 5/8	45	90	71
892-56-06165-16	6	6.50-7.20	29.3	10.9	12.9	14.8	14.2	6.9	3 - 5/8	60	110	98
892-56-08216-16	8	8.50-9.40	31.7	13.8	15.7	16.4	15.4	6.7	3 - 3/4	60	200	145
892-56-10270-16	10	10.65-11.55	33.3	16.2	18.2	18.4	17	6.9	3 - 3/4	60	200	183
892-56-12322-16	12	12.68-13.39	39.8	17.4	19.8	23.9	21	7.5	3 - 3/4	110	200	270