

HYMAX[®] 2

FLANGE ADAPTOR (1.5"-12")

AND FLANGE ADAPTOR LONG BODY (1.5"-12")



FEATURES

- ADVANCED WIDE-RANGE COUPLING WITH A PATENTED FLIP GASKET
- ELIMINATES GASKET REMOVAL MISTAKES AND MAXIMIZES INSTALLER WORK EFFICIENCY
- USING THE GAME-CHANGING HYMAX TECHNOLOGY, PROVEN IN OVER 1M INSTALLATIONS IN THE US
- SUITABLE FOR ALL TYPES OF PIPES - DUCTILE IRON, CAST IRON, STEEL, COPPER, PE, PVC, AC, GRP
- PATENTED HYDRAULICALLY-ASSISTED GASKET WITH 2-STAGE SEALING
- LIGHTWEIGHT CONSTRUCTION ENABLES FAST AND EASY INSTALLATION
- ALLOWS 4° DYNAMIC DEFLECTION, REDUCING FUTURE PIPE DAMAGE

SPECIFICATIONS

STANDARDS

HYMAX FLANGE ADAPTOR AND LONG BODY MEETS OR EXCEEDS REQUIREMENTS OF STANDARDS: AWWA C-219, NSF-61, NSF 372.

SIZE

AVAILABLE IN NOMINAL DIAMETER
 FLANGE ADAPTOR 1.5"-12"
 FLANGE ADAPTOR LONG 1.5"-12"

MATERIAL

FLANGE BODY ASTM A53 GRADE A STEEL.

FLANGE

F/A	Meets ANSI B16.5, Class 150.
F/A Long	1.5"-2" OVAL FLANGE FOR FLOW METER
	3" Meets ANSI B16.5
	4"-12" Meets AWWA class D

END RING ASTM A283 / A283M GRADE C STEEL.

SPHERICAL SPACERS AVAILABLE IN AISI 304 OR SS316^{**} STAINLESS STEEL

BRIDGE AVAILABLE IN AISI 304 OR SS316^{**} STAINLESS STEEL

GASKET EPDM COMPOUNDED FOR WATER AND SEWAGE, MEETS INTERNATIONAL STANDARDS FOR CONTACT WITH DRINKING WATER.

COATING 100% FUSION BONDED EPOXY FOR ENHANCED CORROSION PROTECTION. AVERAGE THICKNESS 14 MIL.

NUTS & BOLTS AVAILABLE IN AISI 304 OR SS316^{**} STAINLESS STEEL. ROLLED THREAD AND ANTI-GALLING COATING.

HYMAX[®]

Repair the past. Connect the future.

KRAUSZ is the creator of HYMAX

* REGISTERED PATENT

** SS316 Coming Soon

PRODUCT SPECIFICATIONS

HYMAX 2

Flange Adaptor / Flange Adaptor Long
1.5"-12" 1.5"-12"



PRODUCT PERFORMANCE

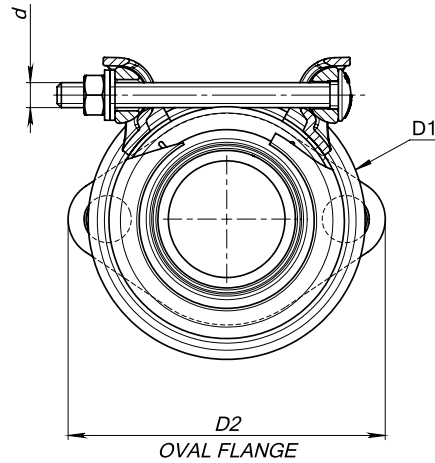
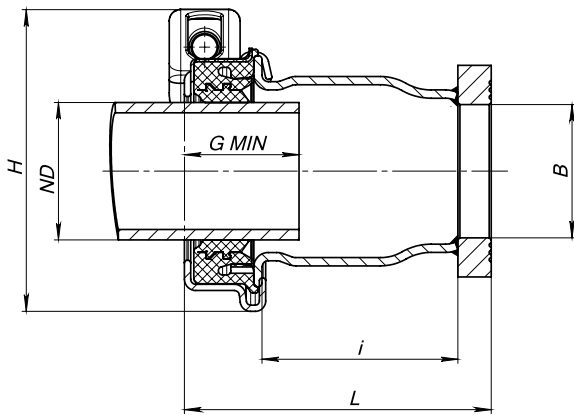
WORKING TEMPERATURE	EPDM: -20°F UP TO +125°F
DYNAMIC DEFLECTION	UP TO 4°
MIN. PIPE INSERTION	2.25"
MAXIMUM OFFSET FOR MISALIGNED PIPES	F/A ND 1.5"-3" ND 4"-12" 0.20" 0.24" F/A LONG ND 2"-3" ND 4"-12" 0.20" 0.24"
MAXIMUM OUT OF ROUNDNESS	F/A ND 1.5 ND 2"-3" ND 4"-12" 0.08" 0.20" 0.31" F/A LONG ND 1.5 ND 2"-3" ND 4"-12" 0.08" 0.20" 0.31"
WORKING PRESSURE	175 PSI
RATED PRESSURE	262 PSI
VACUUM TEST	12 PSI

PRODUCT SPECIFICATIONS

HYMAX 2

PRODUCT TABLES

HYMAX 2 OVAL FLANGE AWWA D 1.5"-2"



When XX = 54 - Fasteners are AISI 304
 When XX = 94 - Fasteners are SS316**

Krausz Part Number	ND (mm)	Flange (inch)	Overall Range (inch)	Range In Closed Gasket Position (Inch)	Range In Open Gasket Position (Inch)	D1 (inch)	H (inch)	i (inch)	L (inch)	D2 (inch)	B (inch)	Bolts Qty. -Size	Torque	Approx. Weight (Lbs)
874-XX-01004112	1.5	1.5	1.61-2.13	1.61-1.97	1.96-2.13	Ø3.9	5.0	4.1	5.8	5.4	Ø1.95	1-M12	35	7
874-XX-02005412	2	2	2.10-3.03	2.10-2.60	2.56-3.03	Ø5.2	5.7	3.7	5.7	6.0	Ø2.44	1-M12	50	8

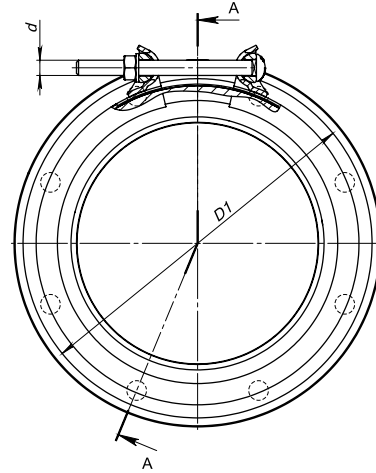
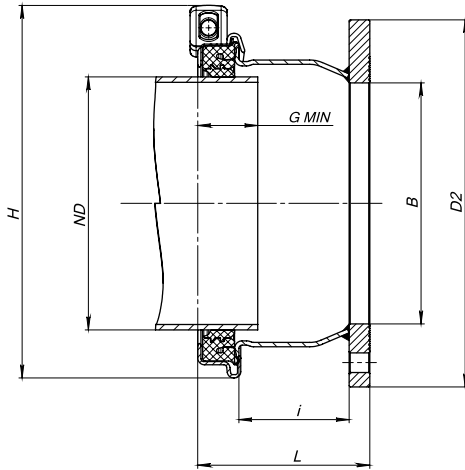
** SS316 Coming Soon

PRODUCT SPECIFICATIONS

HYMAX 2

PRODUCT TABLES

HYMAX 2 FLANGE ADAPTOR



When XX = 54 - Fasteners are AISI 304
 When XX = 94 - Fasteners are SS316**

Krausz Part Number	ND (mm)	Flange (inch)	Overall Range (inch)	Range In Open Gasket Position (Inch)	Range In Closed Gasket Position (Inch)	D1 (inch)	H (inch)	i (inch)	L (inch)	D2 (inch)	B (inch)	Bolts Qty. -Size	Torque	Approx. Weight (Lbs)
874-XX-03008812	3	3	3.46-4.33	3.46-3.90	3.86-4.33	Ø6.7	7.1	2.9	4.8	Ø7.5	Ø4.02	1-M12	50	12
874-XX-04010812	4	4	4.25-5.63	4.25-5.00	4.92-5.63	Ø8.7	9.3	2.9	5.1	Ø9.0	Ø5.24	1-M14	75	14
874-XX-04016312	6	4	6.42-7.68	6.42-7.05	7.01-7.68	Ø10.8	11.3	8.9	11.2	Ø9.0	Ø4.57	1-M14	75	27
874-XX-05013012	5	5	5.12-6.38	5.12-5.75	5.71-6.38	Ø9.5	10.0	4.0	6.2	Ø10.0	Ø6.14	1-M14	75	21
874-XX-06010812	4	6	4.25-5.63	4.25-5.00	4.92-5.63	Ø8.7	9.3	2.3	4.6	Ø11.0	Ø7.24	1-M14	75	20
874-XX-06013012	5	6	5.12-6.38	5.12-5.75	5.71-6.38	Ø9.5	10.0	4.0	6.2	Ø11.0	Ø7.24	1-M14	75	22
874-XX-06016312	6	6	6.42-7.68	6.42-7.05	7.01-7.68	Ø10.8	11.3	4.0	6.2	Ø11.0	Ø7.24	1-M14	75	23
874-XX-06021712	8	6	8.54-9.84	8.54-9.17	9.13-9.84	Ø12.9	13.1	4.0	6.2	Ø11.0	Ø7.24	1-M14	75	36
874-XX-08019012	7	8	7.48-8.74	7.48-8.11	8.07-8.74	Ø11.7	12.2	4.0	6.2	Ø13.5	Ø9.41	1-M14	75	31
874-XX-08021712	8	8	8.54-9.84	8.54-9.17	9.13-9.84	Ø12.9	13.1	4.0	6.2	Ø13.5	Ø9.41	1-M14	75	32
874-XX-08027812	10	8	10.96-12.26	10.96-11.63	11.59-12.26	Ø15.3	15.8	9.9	12.2	Ø13.5	Ø9.41	1-M14	75	46
874-XX-08031512	12	8	12.40-13.66	12.40-13.03	12.99-13.66	Ø16.6	17.5	11.9	14.2	Ø13.5	Ø9.41	1-M14	75	56
874-XX-08033412	12	8	13.15-14.41	13.15-13.78	13.74-14.41	Ø17.3	18.1	11.9	14.2	Ø13.5	Ø9.41	1-M14	75	55
874-XX-10027212	10	10	10.70-12.00	10.70-11.37	11.33-12.00	Ø15.0	15.6	4.0	6.2	Ø16.0	Ø11.61	1-M14	75	38
874-XX-10027812	10	10	10.96-12.26	10.96-11.63	11.59-12.26	Ø15.3	15.8	4.0	6.2	Ø16.0	Ø11.61	1-M14	75	41
874-XX-12031512	12	12	12.40-13.66	12.40-13.03	12.99-13.66	Ø16.6	17.5	4.0	6.2	Ø19.0	Ø14.02	1-M14	80	52
874-XX-12033412	12	12	13.15-14.41	13.15-13.78	13.74-14.41	Ø17.3	18.1	4.0	6.2	Ø19.0	Ø14.02	1-M14	80	57
874-XX-14033412	12	14	13.15-14.41	13.15-13.78	13.74-14.41	Ø17.3	18.1	8.2	10.7	Ø21.0	Ø15.43	1-M14	80	71

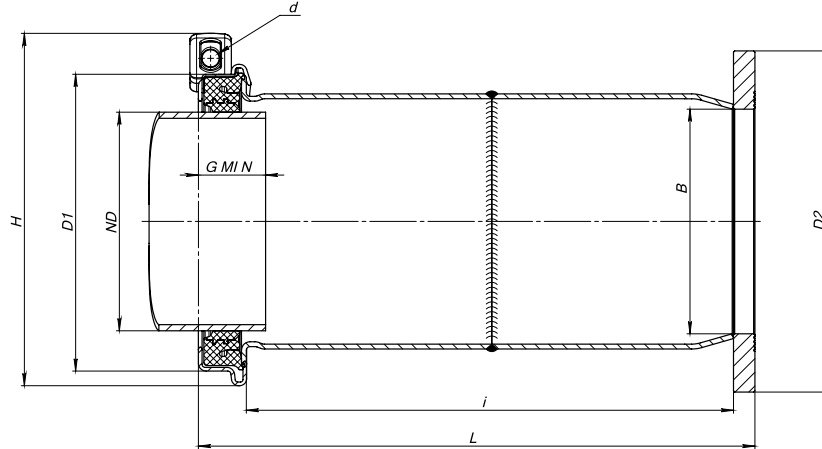
** SS316 Coming Soon

PRODUCT SPECIFICATIONS



PRODUCT TABLES

HYMAX 2 FLANGE ADAPTOR LONG BODY SIZES 1.5"-12"



Krausz Part Number	Nominal Diameter (inch)	Flange (inch)	Overall Range (inch)	Range In Closed Gasket Position (Inch)	Range In Open Gasket Position (Inch)	Bolts Num. and Size (mm)	Approx. Weight (Lbs)	Torque	Length (inch)
974-54-01004112	1.5	1.5	1.61-2.13	1.61-1.97	1.96-2.13	1 -M12	9	35	9.2
974-54-02005412	2	2	2.10-3.03	2.10-2.60	2.56-3.03	1 -M12	10	50	9.5
974-54-03008812	3	3	3.46-4.33	3.46-3.90	3.86-4.33	1 -M12	16	50	13.4
974-54-04010812	4	4	4.25-5.63	4.25-5.00	4.92-5.63	1 -M14	23	75	13.6
974-54-05013012	5	5	5.12-6.38	5.12-5.75	5.71-6.38	1 -M14	30	75	18
974-54-06013012	5	6	5.12-6.38	5.12-5.75	5.71-6.38	1 -M14	33	75	18
974-54-06016312	6	6	6.42-7.68	6.42-7.05	7.01-7.68	1 -M14	36	75	18
974-54-08019012	7	8	7.48-8.74	7.48-8.11	8.07-8.74	1 -M14	42	75	18
974-54-08021712	8	8	8.54-9.84	8.54-9.17	9.13-9.84	1 -M14	49	75	18
974-54-10027212	10	10	10.70-12.00	10.70-11.37	11.33-12.00	1 -M14	56	75	18
974-54-12031512	10	10	10.96-12.26	10.96-11.63	11.59-12.26	1 -M14	60	75	18
974-54-12031512	12	12	12.40-13.66	12.40-13.03	12.99-13.66	1 -M14	61	80	18
974-54-12033412	12	12	13.15-14.41	13.15-13.78	13.74-14.41	1 -M14	63	80	18

HYMAX[®]

Repair the past. Connect the future.

 **KRAUSZ** is the creator of HYMAX

331SW 57TH AVENUE, OCALA, FLORIDA 34474

TEL: 855-457-2879 | 855-4KRAUSZ

FAX: 352-304-5787

info@krauszusa.com | www.krauszusa.com

This product is protected under a registered patent. See Krausz website for details. Copyright © 2017 Krausz Industries Ltd., All rights reserved

PS0052 REV D