

MAXIMUM OFFSET FOR MISALIGNED PIPES	0.25"
MAXIMUM OUT OF ROUNDNESS	1.5"-3" 0.12" 4"- 12" 0.16"
WORKING PRESSURE	1.5" - 12" 232 PSI
RATED PRESSURE	1.5" - 12" 350 PSI
VACUUM TEST	12 PSI

PRODUCT TABLES

TORQUE

ND (inch)	EPDM (Ft-Lb)	NBR (Ft-Lb)
1.5	50	50
2.5	50	50
3	50	50
4	90	105
6	110	110
8	200	200
10	200	200
12	200	200

PRODUCT CONFIGURATIONS

The product is offered in several different configurations. Note that the "xx" marking in the Cat. no. should be replaced as directed:

Part Number 889-XX

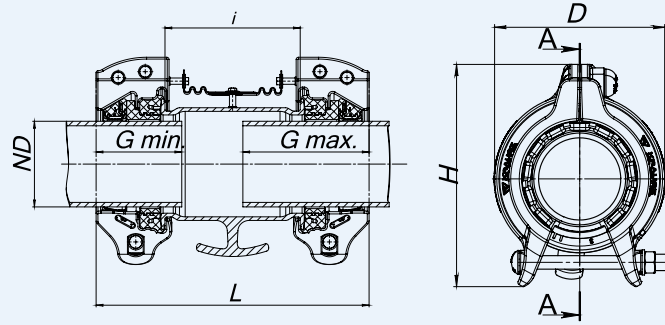
56 -> Standard Pressure Grip with EPDM gasket

57 -> Standard Pressure Grip with NBR gasket

For example -

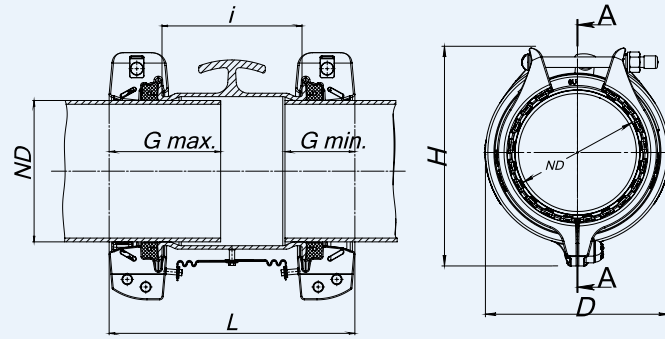
889-XX-015039-16 should be read as 889-56-015039-16 for EPDM gasket and 889-57-015039-16 for NBR gasket.

HYMAX GRIP CATHODIC NOMINAL SIZE 1.5"-3"



Krausz Part Number	ND (inch)	Overall Range (inch)	Before Removal of Inner Layer (inch)	After Removal of Inner Layer (inch)	i (inch)	L (inch)	D (inch)	H (inch)	G - Max Stab Depth (inch)	Bolts Qty.-Size	Approx. Weight (Lbs)
889-XX-015039-16	1.5/2	1.54-2.64	1.54-2.20	2.17-2.64	3.93	10	5.35	7.48	4.5	2 - M14	15.45
889-XX-025059-16	2.5	2.32-3.43	2.32-2.99	2.95-3.43	3.93	10	6.18	8.07	4.5	2 - M14	20.26
889-XX-030080-16	3	3.15-4.17	3.15-3.74	3.70-4.17	5.9	11.93	6.93	9.06	5.5	2 - M14	25.53

HYMAX GRIP CATHODIC NOMINAL SIZE 4"-12"



Krausz Part Number	ND (inch)	Overall Range (inch)	i (inch)	L (inch)	D (inch)	H (inch)	G - Max Stab Depth (inch)	Bolts Qty.- Size	Approx. Weight (Lbs)
889-XX-04111-16	4	4.40-5.10	5.9	11.4	8.7	10.6	5.3	2 - 5/8	32
889-XX-06165-16	6	6.50-7.20	7.3	12.8	10.9	12.9	5.9	2 - 5/8	43
889-XX-08216-16	8	8.50-9.40	7.3	13.3	13.8	15.7	6.1	2 - 3/4	74
889-XX-10270-16	10	10.65-11.55	7.3	13.5	16.2	18.2	6.3	2 - 3/4	92
889-XX-12322-16	12	12.68-13.39	7.3	13.5	17.4	19.8	6.3	2 - 3/4	100

HYMAX[®]

Repair the past. Connect the future.

 **KRAUSZ** is the creator of HYMAX

331SW 57TH AVENUE, OCALA, FLORIDA 34474

TEL: 855-457-2879 | 855-4KRAUSZ

FAX: 352-304-5787

info@krauszusa.com | www.krauszusa.com

This product is protected under a registered patent. See Krausz website for details. Copyright © 2017 Krausz Industries Ltd., All rights reserved