

# HYMAX VERSA<sup>®</sup> ENCAPSULATION (1.5"-3")

**HYMAX<sup>®</sup>**  
Repair the past. Connect the future.



## PRODUCT SPECIFICATIONS

### FEATURES

- A UNIQUE ENCAPSULATION SOLUTION TO QUICKLY AND EASILY REPAIR BELL-JOINT AND COUPLING LEAKS
- FAST AND EASY TO INSTALL. CAN BE WRAPPED AROUND JOINTS WHILE WATER PRESSURE IS LOWERED TO AVOID WATER SHUTDOWNS.
- ONLY 2 OR 4 TOP-FACING BOLTS TO TIGHTEN
- DURABLE STAINLESS STEEL, MONOBLOCK DESIGN
- ALLOWS 3° DYNAMIC DEFLECTION PER END, REDUCING FUTURE PIPE DAMAGE

### SPECIFICATIONS

#### STANDARDS

HYMAX VERSA ENCAPSULATION MEETS OR EXCEEDS STANDARDS AWWA C-219, AWWA C-227, NSF 61, NSF 372, EN-681.

#### SIZE/LENGTH

AVAILABLE IN NOMINAL DIAMETER RANGE OF 1.5"-3", LENGTH 5.5", 11".

#### MATERIALS

##### BODY

STAINLESS STEEL AISI 304.

##### LUG MATERIAL

POLYCARBONATE.

##### COMPRESSION BEAM & ADJUSTING PIN

CASTING AISI 304 / ASTM-A351-CF8.

##### GASKET

EPDM COMPOUNDED FOR WATER AND SEWERAGE,  
MEETS INTERNATIONAL STANDARDS FOR CONTACT WITH DRINKING WATER.

##### GASKET BRIDGE

AISI 304 STAINLESS STEEL.

##### NUTS AND BOLTS

AISI 304 STAINLESS STEEL. ROLLED THREAD AND ANTI-GALLING COATING.

## PRODUCT PERFORMANCE

**WORKING TEMPERATURE** -20°F UP TO +180°F

**WORKING PRESSURE** Length 5.5" - 232 PSI  
Length 11" - 232 PSI

**RATED PRESSURE** 350 PSI

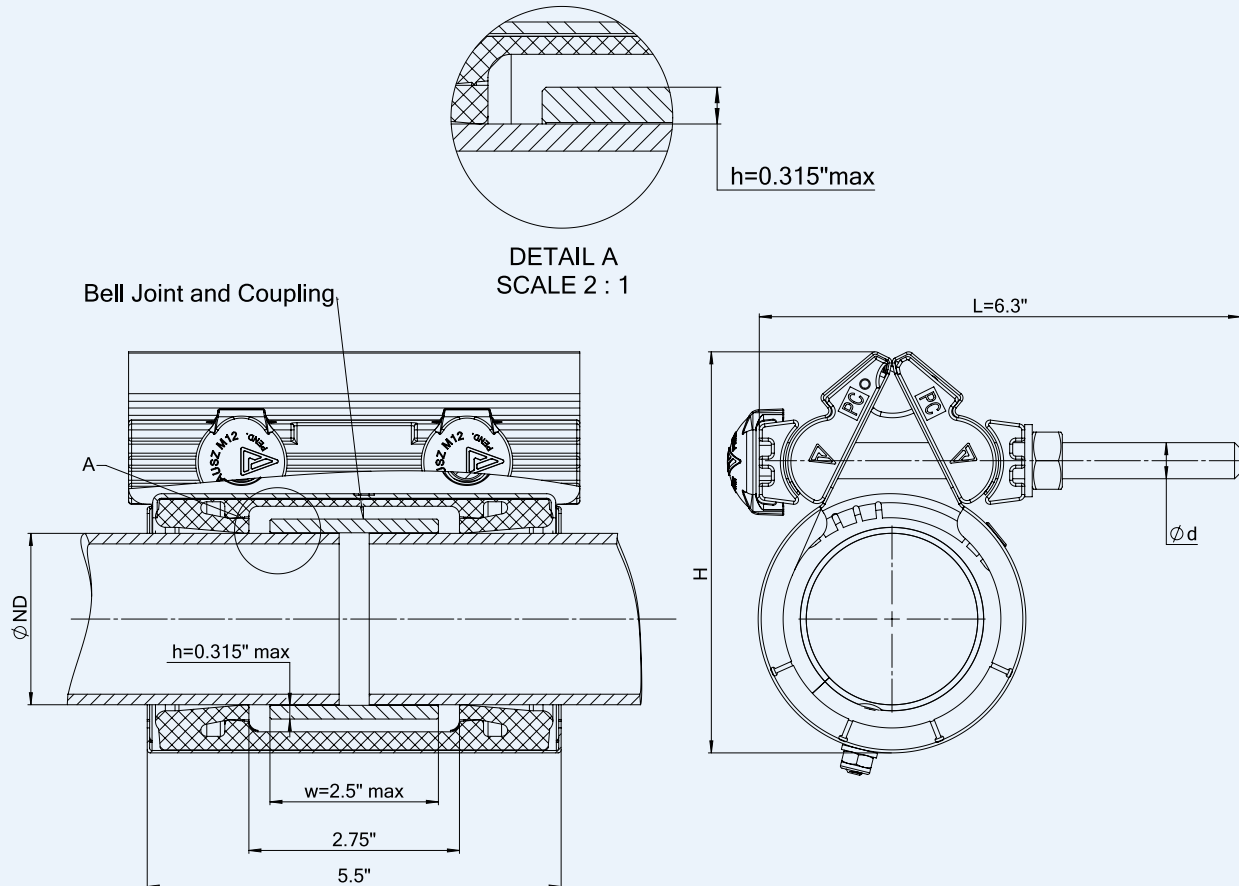
## MAX. CAPSULE CAPABILITY

\* See below

For 5.5" Length	H	W	For 11" Length	H	W
	0.315"	2.5"		0.315"	8"

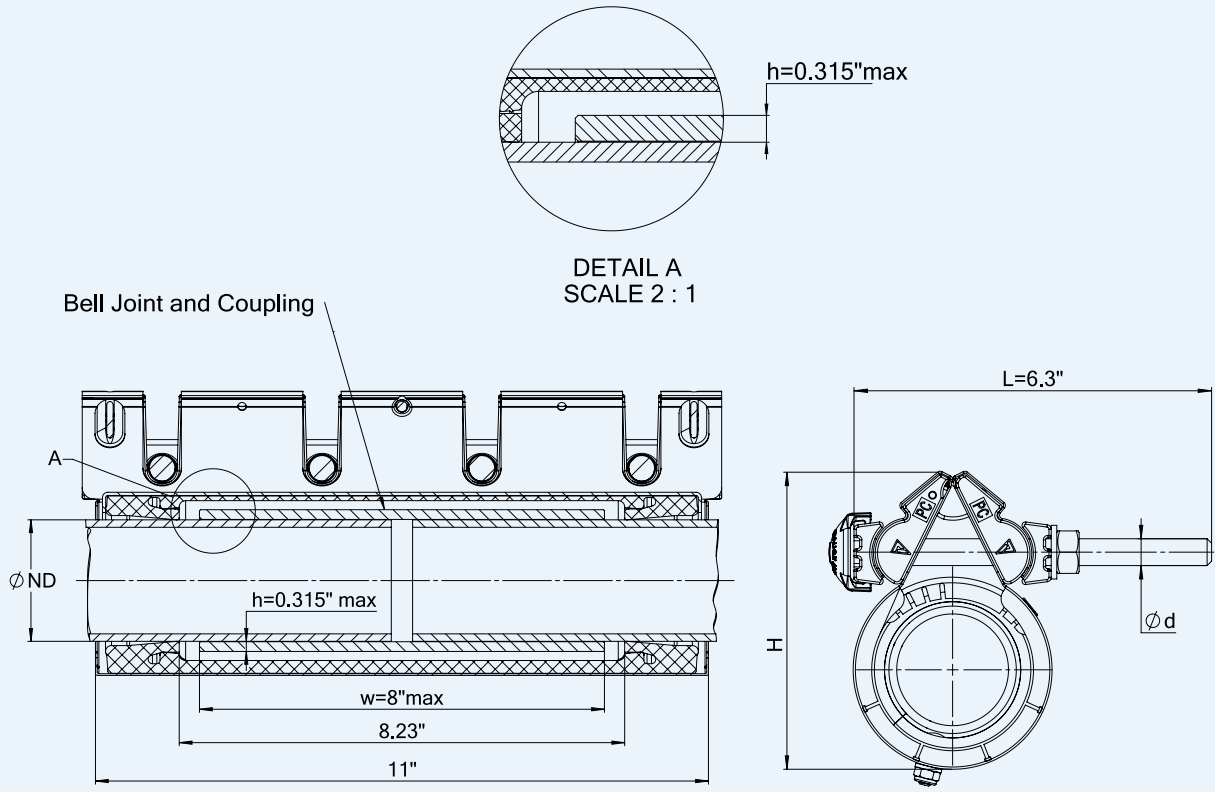
## PRODUCT TABLES

### HYMAX VERSA ENCAPSULATION NOMINAL SIZE 1.5"-3" LENGTH 5.5"



Krausz Part Number	DN (inch)	Overall Range (inch)	H (inch)	Bolts Length L (inch)	Bolts Qty.- Size d (mm)	Torque (ft-lbs)	Body (Shell) Thickness (inch)	Approx Weight (Lb)
104-56-0045-16	1.5	1.77-2.24	4.9	6.3	2 -M12	35	0.03	4.23
104-56-0052-16	2	2.05-2.52	5.3	6.3	2 -M12	35	0.03	4.34
104-56-0059-16		2.32-2.79	5.5	6.3	2 -M12	35	0.03	4.5
104-56-0071-16	2.5	2.79-3.31	6.1	6.3	2 -M12	35	0.03	4.72
104-56-0081-16	3	3.19-3.67	6.5	6.3	2 -M12	35	0.03	4.83

# HYMAX VERSA ENCAPSULATION NOMINAL SIZE 1.5"-3" LENGTH 11"



Krausz Part Number	DN (inch)	Overall Range (inch)	H (inch)	Bolts Length L (inch)	Bolts Qty.- Size d (mm)	Torque (ft-lbs)	Body (Shell) Thickness (inch)	Approx Weight (lb)
106-56-0045-16	1.5	1.77-2.24	4.9	6.3	4 -M12	35	0.03	8.6
106-56-0052-16	2	2.05-2.52	5.3	6.3	4 -M12	35	0.03	8.82
106-56-0059-16		2.32-2.79	5.5	6.3	4 -M12	35	0.03	9.26
106-56-0071-16	2.5	2.79-3.31	6.1	6.3	4 -M12	35	0.03	9.7
106-56-0081-16	3	3.19-3.67	6.5	6.3	4 -M12	35	0.03	9.92

# **HYMAX<sup>®</sup>**

Repair the past. Connect the future.

---

 **KRAUSZ** is the creator of HYMAX

**331SW 57TH AVENUE, OCALA, FLORIDA 34474**

**TEL: 855-457-2879 | 855-4KRAUSZ**

**FAX: 352-304-5787**

**[info@krauszusa.com](mailto:info@krauszusa.com) | [www.krauszusa.com](http://www.krauszusa.com)**