



HYMAX GRIP[®] FLANGE ADAPTOR^{*} (1.5"/2", 3") ROUND FLANGE

HYMAX[®]
Repair the past. Connect the future.

PRODUCT SPECIFICATIONS

FEATURES

- JOINS AND RESTRAINS A WIDE RANGE OF PIPING TYPES AND DIAMETERS
- UNIQUE RADIAL GRIPPING SYSTEM PREVENTS PIPE MOTION
- UNIVERSAL GRIPPING TEETH FIT METAL AND PLASTIC PIPES
- READY TO USE, STAB-FIT DESIGN
- ALLOWS 4° DYNAMIC DEFLECTION REDUCING FUTURE DAMAGE
- DURABLE DUCTILE IRON BODY
- PATENTED HYDRAULICALLY-ASSISTED GASKET WITH 2-STAGE SEALING

SPECIFICATIONS

STANDARDS

HYMAX GRIP FLANGE ADAPTOR MEETS OR EXCEEDS STANDARDS
AWWA C-219, NSF 61, NSF 372.

SIZE

AVAILABLE IN NOMINAL DIAMETERS 1.5"/2", 3".

MATERIALS

FLANGE BODY

DUCTILE IRON CASTING ASTM A536 GRADE 65-45-12
ROUND FLANGE COMPATIBLE WITH ANSI CLASS 125 AND 150 BOLT CIRCLES

END RING

CAST STEEL ASTM A216 WCB.

GASKETS

EPDM AND NBR AVAILABLE. BOTH ARE COMPOUNDED FOR WATER AND SEWAGE, MEET
INTERNATIONAL STANDARDS FOR CONTACT WITH DRINKING WATER.

GRIP CHAIN

GRIPPING TEETH: FE2NI

BRIDGE

AISI 304 STAINLESS STEEL.

SPHERICAL SPACERS

AISI 304 STAINLESS STEEL.

COATING

100% FUSION BONDED EPOXY FOR ENHANCED CORROSION
PROTECTION. AVERAGE THICKNESS 14 MIL.

NUTS AND BOLTS

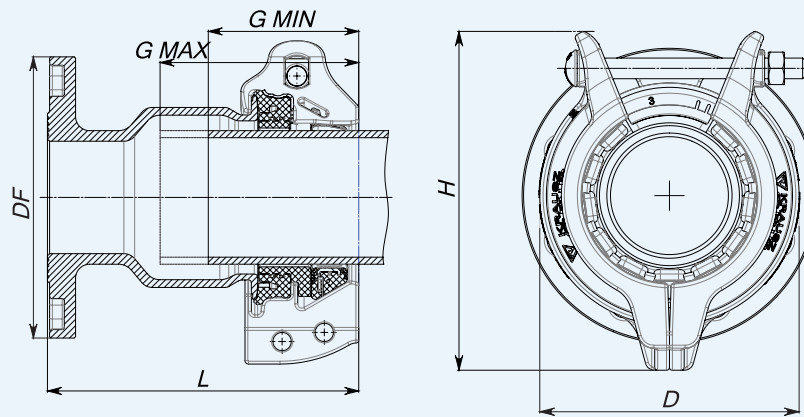
AISI 304 STAINLESS STEEL. ROLLED THREAD AND ANTI-GALLING COATING.

PRODUCT PERFORMANCE (*)

WORKING TEMPERATURE	EPDM: -20°F UP TO +125°F NBR: -4°F UP TO +125°F
WORKING PRESSURE	232 PSI
RATED PRESSURE	350 PSI
TORQUE	50 FT-LB
DYNAMIC DEFLECTION	UP TO 4°
MIN. PIPE INSERTION	3.6"
MAXIMUM OFFSET FOR MISALIGNED PIPES	0.12"
MAXIMUM OUT OF ROUNDNESS	0.12"
VACUUM TEST	12 PSI

PRODUCT TABLES

HYMAX GRIP FLANGE ADAPTOR WITH ROUND FLANGE NOMINAL SIZE 1.5"/2", 3"



NOTE: PN
-XX-

EPDM Gasket
-56-

NBR Gasket
-57-

Krausz Part Number	Nominal Diameter (inch)	FLANGE (inch)	Overall Range (inch)	Before Removal of Inner Layer (inch)	After Removal of Inner Layer (inch)	DF (inch)	L (inch)	D (inch)	H (inch)	G - Max Stab Depth (inch)	Bolts Qty.-Size	Approx. Weight (Lbs)
130-xx-015039-16	1.5/2	2	1.54-2.64	1.54-2.20	2.17-2.64	6.14	7	5.35	7.48	4.5	1 - M14	11.5
130-xx-030080-16	3	3	3.15-4.17	3.15-3.74	3.70-4.17	7.87	8.74	6.93	9.06	5.5	1 - M14	21.25