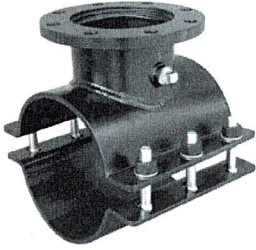
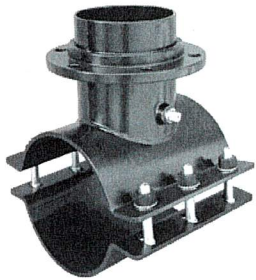


Rev. 6-17 Shaded area indicates changes



H-306CS shown



H-306MJ shown

- Catalog number-- **H-306** Fabricated Steel Tapping Sleeve
- Sizes - 4"-16" main and outlet (see chart below for available size combinations)
- Outlet choices: flange or integral MJ outlet
- Outlet flange material is carbon steel: outlet flange meets or exceeds all applicable requirements of ANSI B16.1, class 125 and in accordance with MSS-SP60
- Integral MJ flange is carbon steel
- Certified to ANSI/NSF 61
- 3/4" NPT brass test plug
- 4"-12" sizes--300 psig (1725 kPa/17 barg) maximum working pressure
- 14"-16" sizes--250 psig (1375 kPa/14 barg) maximum working pressure

How to determine a Mueller Tapping Sleeve Part Number

Select the appropriate numbers from the pipe information chart that follows. Example: For 6"x6" with 6.86-7.16 O.D. Range and stainless steel flange. Resulting Part No. **0606H306CS0716**

Main size	Outlet size	Model Number	Flange Material	Maximum O.D.
06	06	H-306*	CS**	0716

** H-306 is constant for all Mueller Fabricated Steel Tapping Sleeves listed here
CS = carbon steel flange, MJ=integral mechanical joint outlet.*

Tapping Sleeve pipe information

Size of Main	Size of Outlet Flange	Available O.D. Ranges	
		in.	mm
4"	3" & 4"	4.50	114.30
		4.80	117.92
6"	3", 4", 6"	6.57-6.73	166.88-170.94
		6.86-7.16	174.24-181.86
		7.10-7.40	180.34-187.96
		7.43-7.73	188.72-196.34
8"	3", 4", 6", 8"	8.46-8.75	214.88-222.25
		8.82-9.12	224.03-231.65
		9.07-9.37	230.38-238.00
		9.39-9.69	238.51-246.13
		9.95-10.25	252.73-260.35
10"	3", 4", 6", 8", 10"	10.64-10.86	270.26-275.84
		10.95-11.25	278.13-285.75
		11.17-11.47	283.72-291.34
		11.50-11.80	292.10-299.72
		11.64-11.94	295.66-303.28
		11.94-12.24	303.28-310.90
		12.58-12.88	319.53-327.15
12"	3", 4", 6", 8", 10", 12"	13.05-13.35	331.47-339.09
		13.30-13.60	337.82-345.44
		13.79-14.09	350.27-357.89
		14.28-14.58	362.71-370.33
		14.78-15.08	375.41-383.03
14"	4", 6", 8", 10", 12"	15.15-15.45	384.81-392.43
		15.42-15.72	391.67-399.29
		15.62-15.92	396.75-404.37
		15.92-16.22	404.37-411.99
		16.15-16.45	410.21-417.83
16"	3", 4", 6", 8", 10", 12"	16.43-16.73	417.32-424.94
		16.68-16.98	423.67-431.29
		16.96-17.26	430.78-438.40
		17.27-17.57	438.66-446.28
		17.57-17.87	446.28-453.90
		17.83-18.13	452.88-460.50
		18.13-18.43	460.50-468.12

Pipe O.D. Chart		
Size of Main	IPS	DI/C900/C905
4"	4.50	4.80
6"	6.625	6.90
8"	8.625	9.05
10"	10.75	11.10
12"	12.75	13.20
14"	14.00	15.30
16"	16.00	17.40

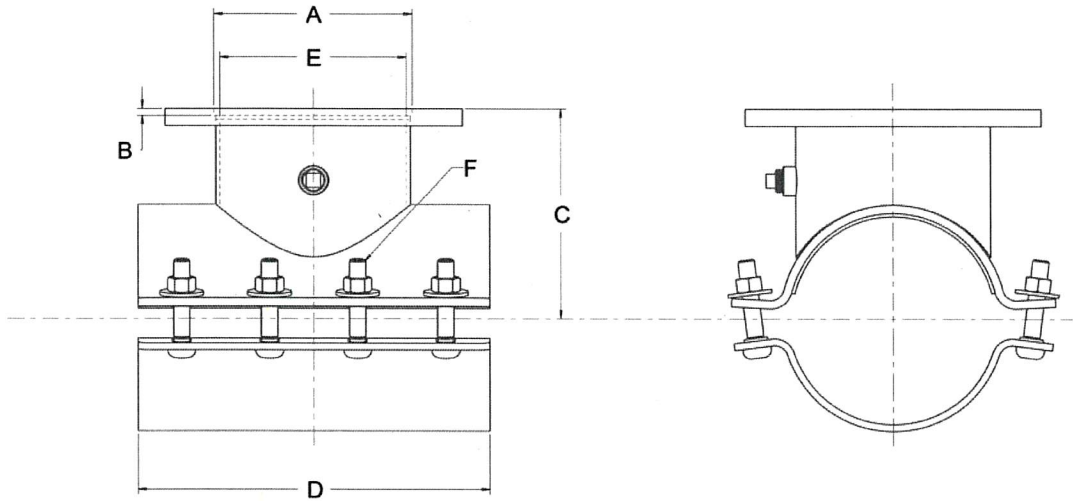
For other pipe O.D. information reference chart on catalog page 19.15

H-306 FABRICATED STEEL TAPPING SLEEVE - 4" - 16"



12.7A

Shaded area indicates change Rev. 6-17



Nominal Size		Dimensions*					Bolts Per Side
		Outlet Flange†		C	Sleeve		
Main	Outlet	A	B			D	E
4"	4"	5.0315	.25	7.00	15	4.50	4
6"	4"	5.0315	.25	7.50	15	4.50	4
6"	6"	7.0315	.31	8.00	15	6.50	4
8"	4"	5.0315	.25	8.50	15	4.50	4
8"	6"	7.0315	.31	9.00	15	6.50	4
8"	8"	9.0315	.31	9.50	18	8.50	6
10"	4"	5.0315	.25	10.00	15	4.50	4
10"	6"	7.0315	.31	10.50	15	6.50	4
10"	8"	9.0315	.31	11.00	18	8.50	6
10"	10"	11.0315	.31	11.50	24	10.50	8
12"	4"	5.0315	.25	12.00	15	4.50	4
12"	6"	7.0315	.31	12.00	15	6.50	4
12"	8"	9.0315	.31	12.00	18	8.50	6
12"	10"	11.0315	.31	12.00	24	10.50	8
12"	12"	13.0315	.31	12.00	30	12.50	8
14"	4"	5.0315	.25	13.63	15	4.50	4
14"	6"	7.0315	.31	13.63	15	6.50	4
14"	8"	9.0315	.31	13.63	18	8.50	6
14"	10"	11.0315	.31	13.63	24	10.50	8
14"	12"	13.0315	.31	13.63	30	12.50	8
16"	4"	5.0315	.25	14.59	15	4.50	4
16"	6"	7.0315	.31	14.59	15	6.50	4
16"	8"	9.0315	.31	14.59	18	8.50	6
16"	10"	11.0315	.31	14.59	24	10.50	8
16"	12"	13.0315	.31	14.59	30	12.50	8

* All dimensions are in inches.

†With MJ option, this flange is replaced by an integral SS outlet pipe extension and MJ gland welded permanently in place allowing the sleeve to bolt directly to the outlet of any standard MJ valve. Dimensions for MJ option are compatible with standard connections, and A and B dimensions in chart do not apply.